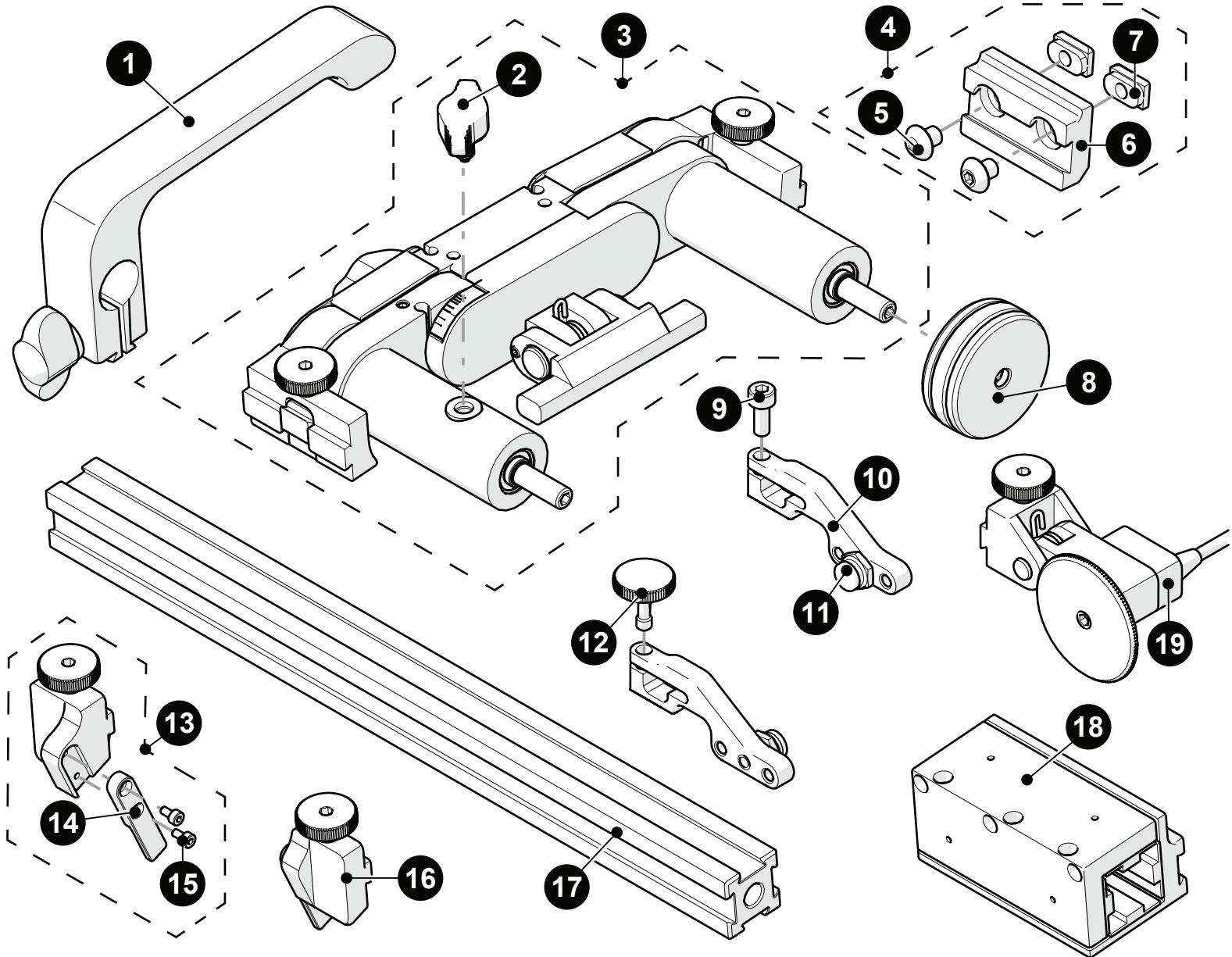


# Spare Parts

■ **STIX** KIT

DXG001



BOM ID	Description	Description
1	CMS004	Dovetail Handle
2	DXS005	Brake Knob
3	DXS001	Articulated Side Frame Subassembly
4	DXS008	Flange Scanner PPS Spacer
5	MD074-006	BHCS, M5 x 0.8 X 6 mm, SST
6	DX0020	Flange Scanner PPS Spacer Black
7	BT0014	Dovetail Nut
8	BTS031	Magnetic Wheel
9	MD050-010	SHCS, M4 x 0.7 x 10 mm, SST
10	<i>See Arm Styles</i>	
11	<i>See Pivot Button Style</i>	
12	PH0082	Knurled Knob, M4 x 0.7 x 10 mm, 3 mm stand off, SST
13	DXS006-L	Flange Scanner Guide, Left
14	DX0016	Guide Finger
15	MD047-004	SHCS, M2 x 0.4 X 4 mm, SST
16	DXS006-R	Flange Scanner Guide, Right
17	BG0090-25	Frame bar with ruler, 25 cm (9.8 in)
18	DXS007	Flange Scanner Slider
19	BGS053-X-05	Spring-Loaded Encoder ( <i>see Encoder Connector Type</i> )