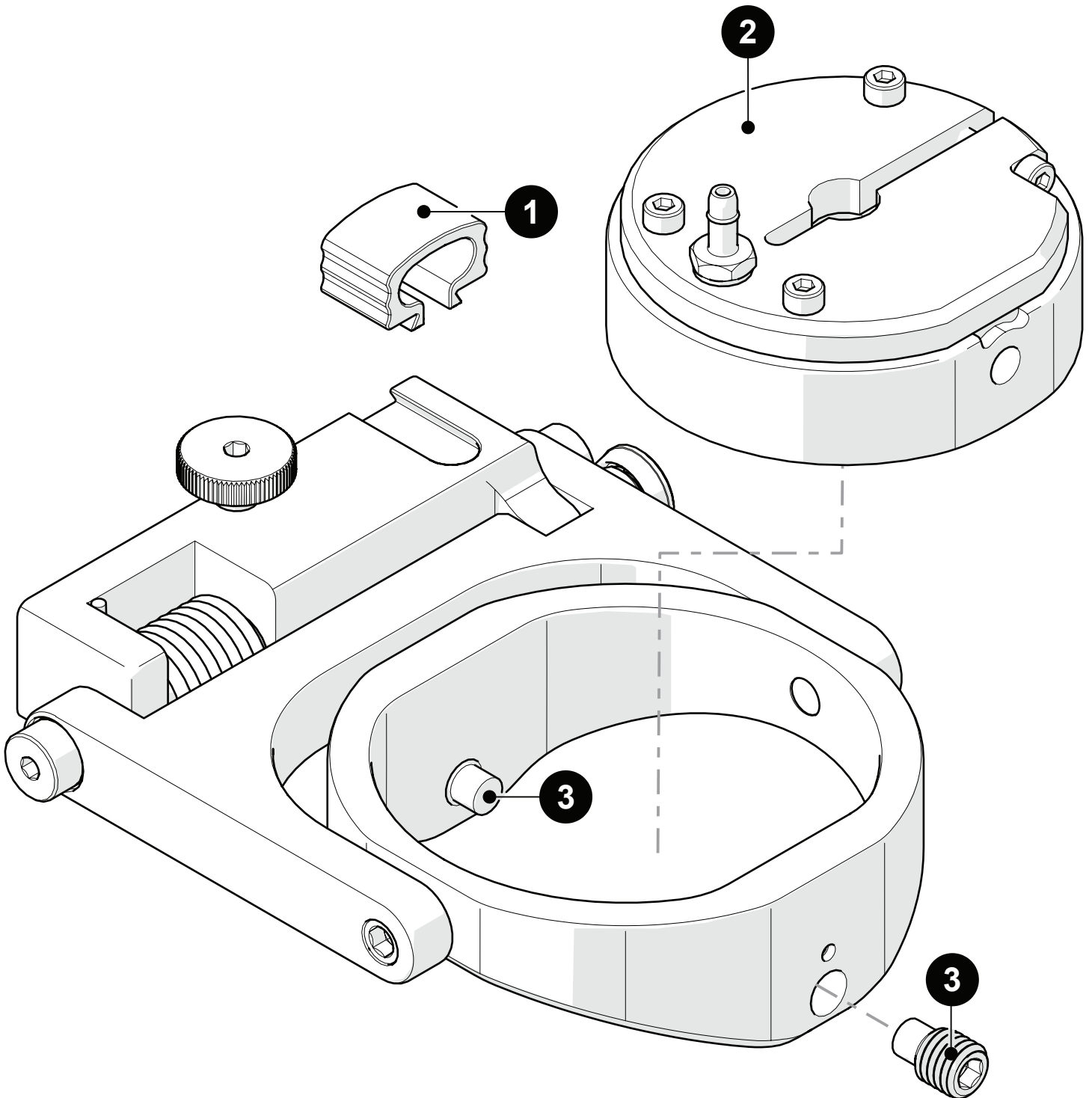


Spare Parts

CORROSION THICKNESS PROBE HOLDER

PHS046- | PHS056-



BOM ID	Part #	Description
1	BG0091	Cable Clip
2	<i>See Probe Holder Receptacle and Wear Plate</i>	
3	MA264	SHSS, M8 x 1.25 x 12 mm, dog point, SST