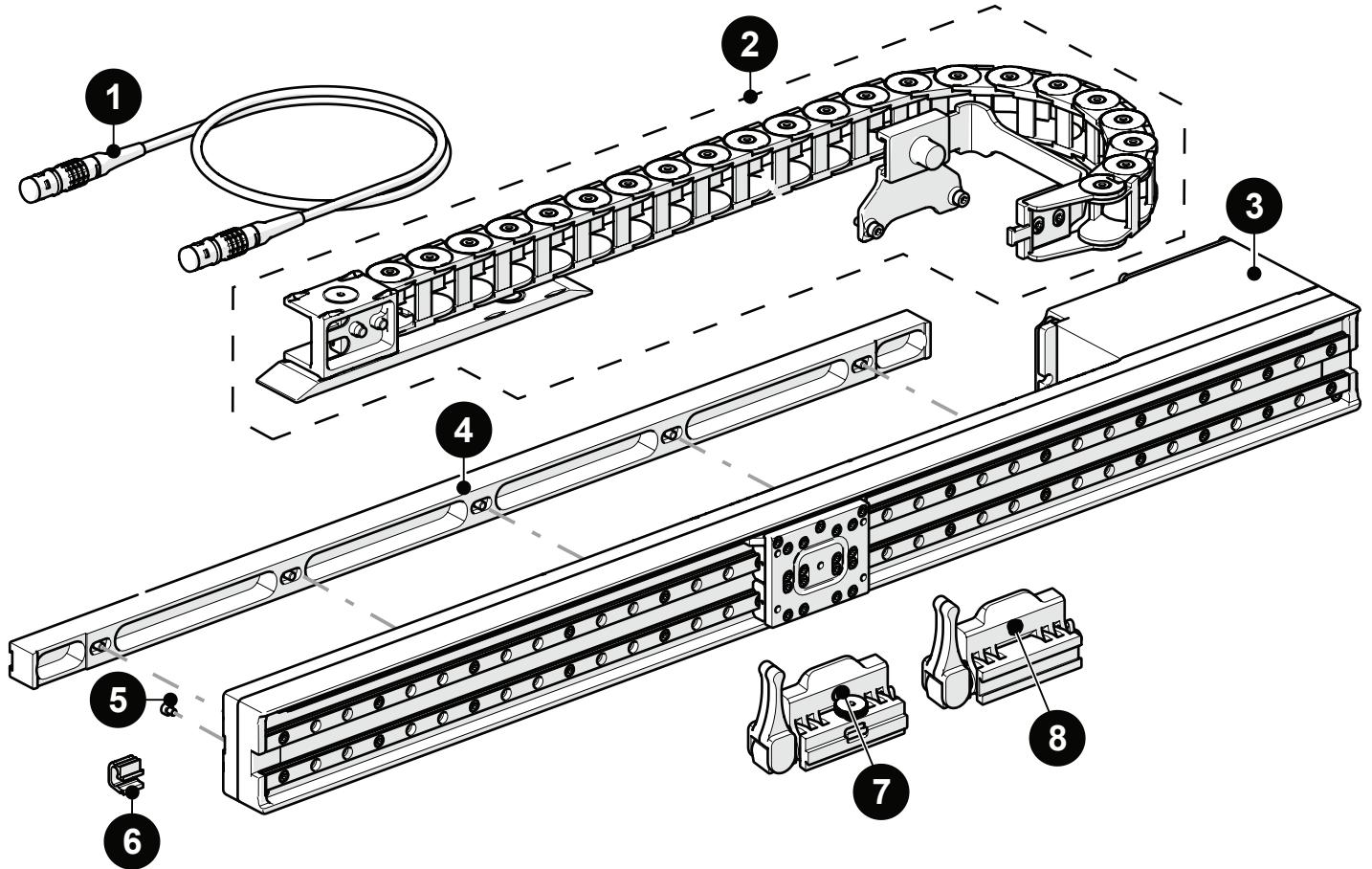


MOTORIZED RASTER ARM

CWG002-



BOM ID	Part #	Description
1	See Raster Arm Cable	
2	See Cable Tray	
3	See Base Raster Arm	
4	See Mounting Rail	
5	MD049-004	SHCS, M3x0.5 x 4 mm, SST
6	CW0096	Cable Management Clip
7	CWS030	Raster Arm Pivot Nose (<i>male</i>)
8	CWS023	Raster Arm Pivot Nose (<i>female</i>)
9	See Raster Arm Case	

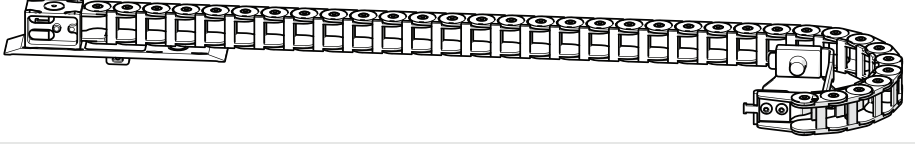
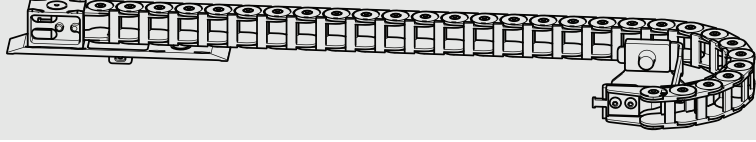
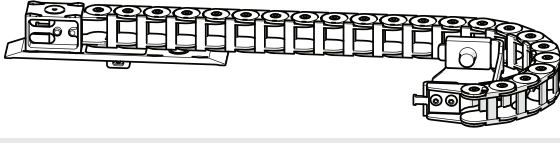
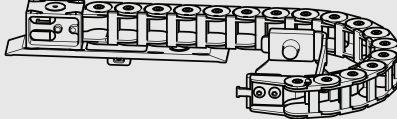
Raster Arm Cable

Part #	Length	
UMA020-1.40	140 cm (55 in)	
UMA020-1.14	114 cm (45 in)	
UMA020-0.84	84 cm (33 in)	
UMA020-0.70	70 cm (28 in)	

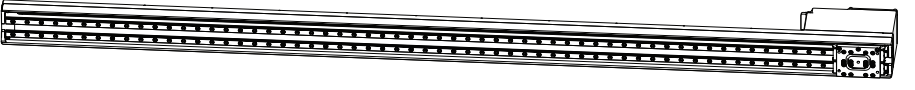

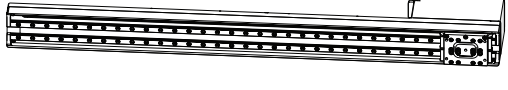

Spare Parts

MOTORIZED RASTER ARM



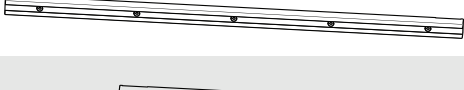

Cable Tray

Part #	Length	
CWS018-1160	1160 mm (45 in)	
CWS018-0900	900 mm (35 in)	
CWS018-0600	600 mm (24 in)	
CWS018-0300	300 mm (12 in)	

Base Raster Arm

Part #	Length	
CWA006-1160	1160 mm (45 in)	
CWA006-0900	900 mm (35 in)	
CWA006-0600	600 mm (24 in)	
CWA006-0300	300 mm (12 in)	

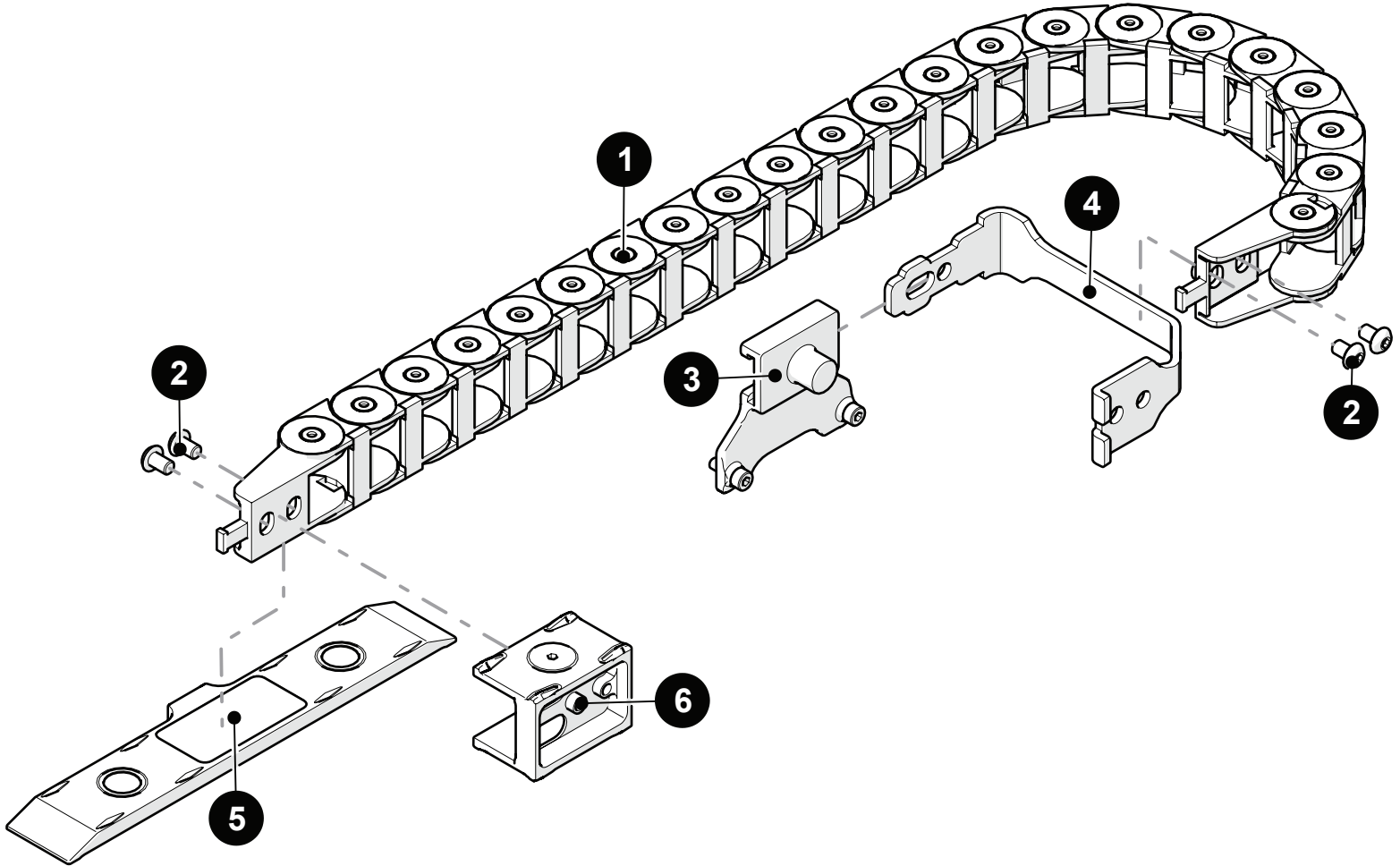
Mounting Rail

Part #	Length	
CWS008-1160	1160 mm (45 in)	
CWS008-0900	900 mm (35 in)	
CWS008-0600	600 mm (24 in)	
CWS008-0300	300 mm (12 in)	

Spare Parts

MOTORIZED RASTER ARM

Cable Tray Parts



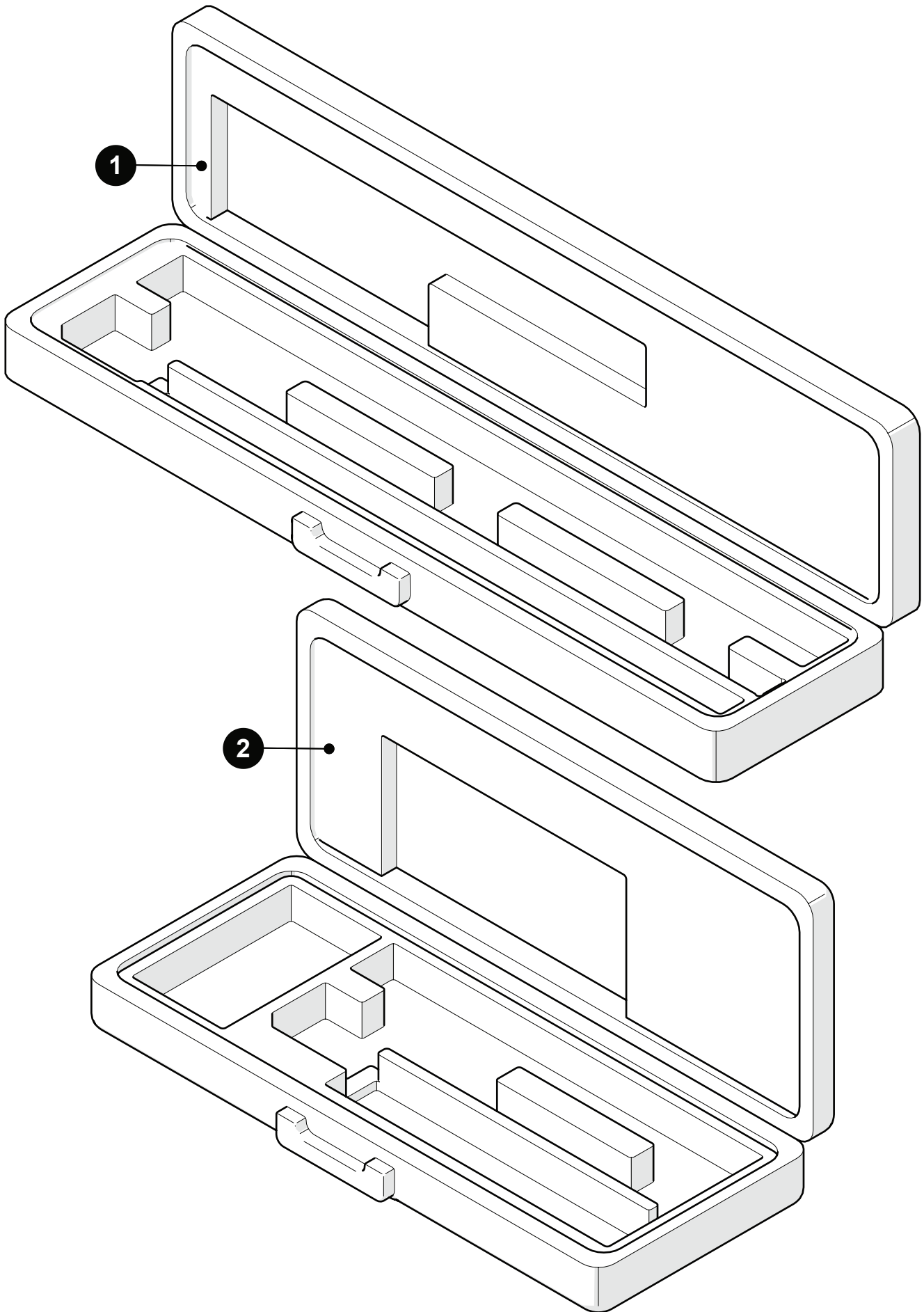
BOM ID	Part #	Description
1	See Cable Carrier	
2	MD074-008	BHCS, M5x0.8 x 8 mm, SST
3	CWS014	Carriage Bracket
4	CWS015	Cable Tray Bracket
5	CWS016	Magnetic Base
6	CWS017	Magnetic End

Cable Carrier

Part #	Length	
GA048	1160 mm (45 in)	
GA046	900 mm (35 in)	
GA041	600 mm (24 in)	
GA043	300 mm (12 in)	

MOTORIZED RASTER ARM

Raster Arm Cases



BOM ID	Part #	Description
1	CWA008	900 / 1160 Raster Arm Case
2	CWA009	300/ 600 Raster Arm Case