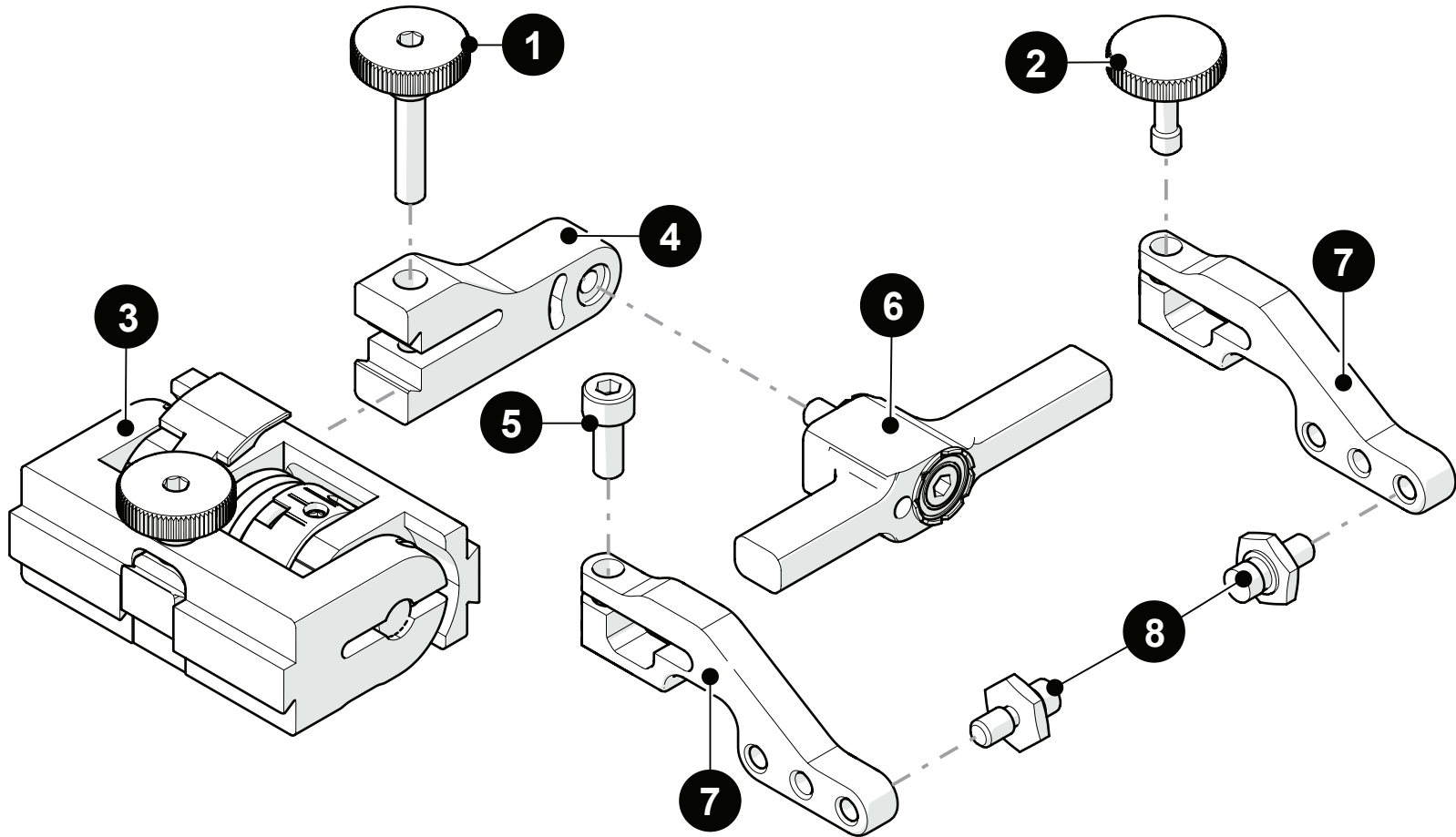


SLIP JOINT PROBE HOLDER

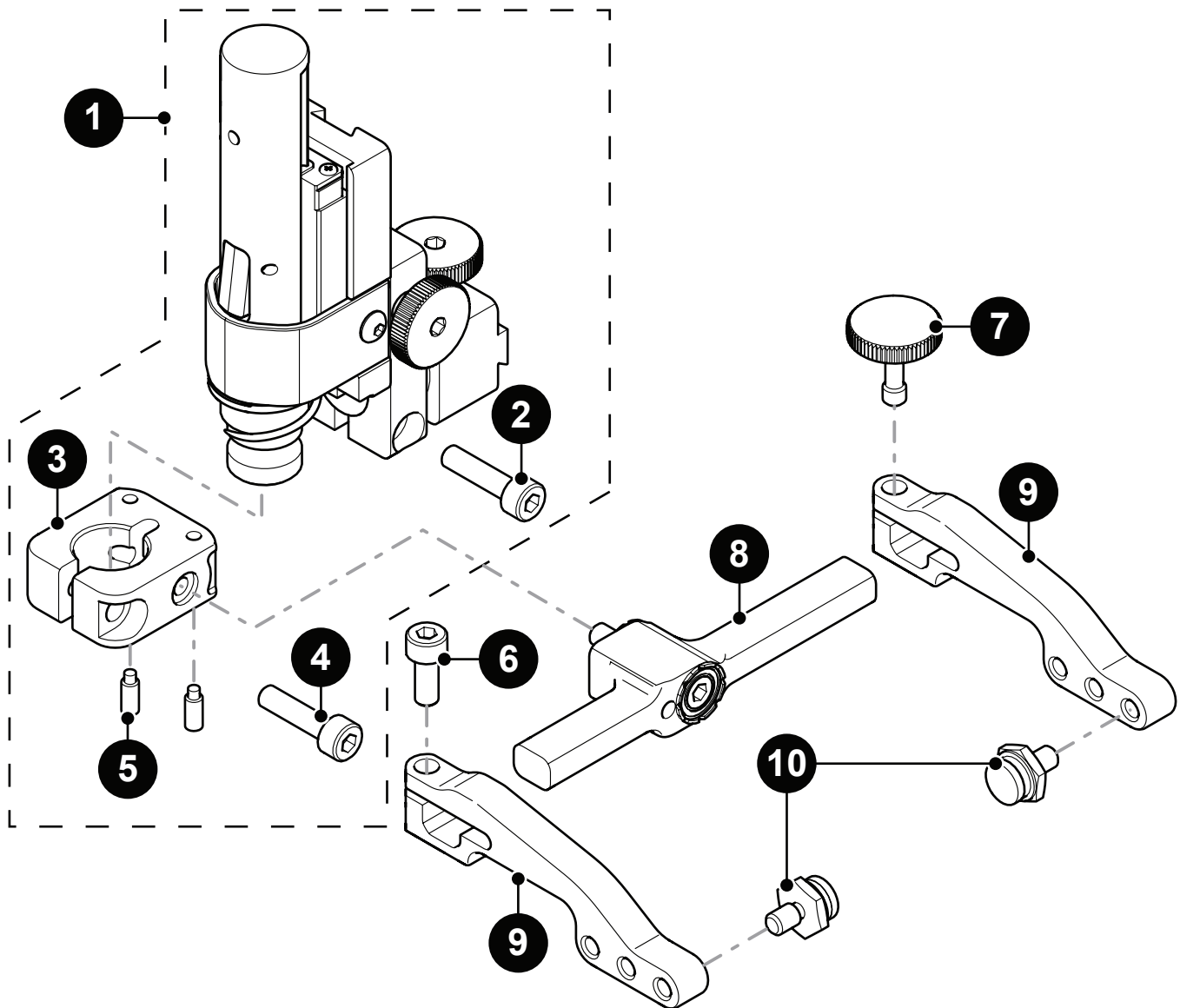
PHA012-



BOM ID	Part #	Description
1	PH0104	Knurled Knob, M4 x 0.7 x 18 mm, 4 mm stand off, SST
2	PH0082	Knurled Knob, M4 x 0.7 x 10 mm, 3 mm stand off, SST
3	PHS022	Slip Joint Probe Holder Subassembly
4	<i>see Swing Arm Style</i>	
5	MD050-010	SHCS, M4 x 0.7 x 10 mm, SST
6	<i>see Yoke Style</i>	
7	<i>see Arm Style</i>	
8	PH0011-X	Pivot Button Style (<i>see Pivot Button Style</i>)

VERTICAL PROBE HOLDER

PHS015-

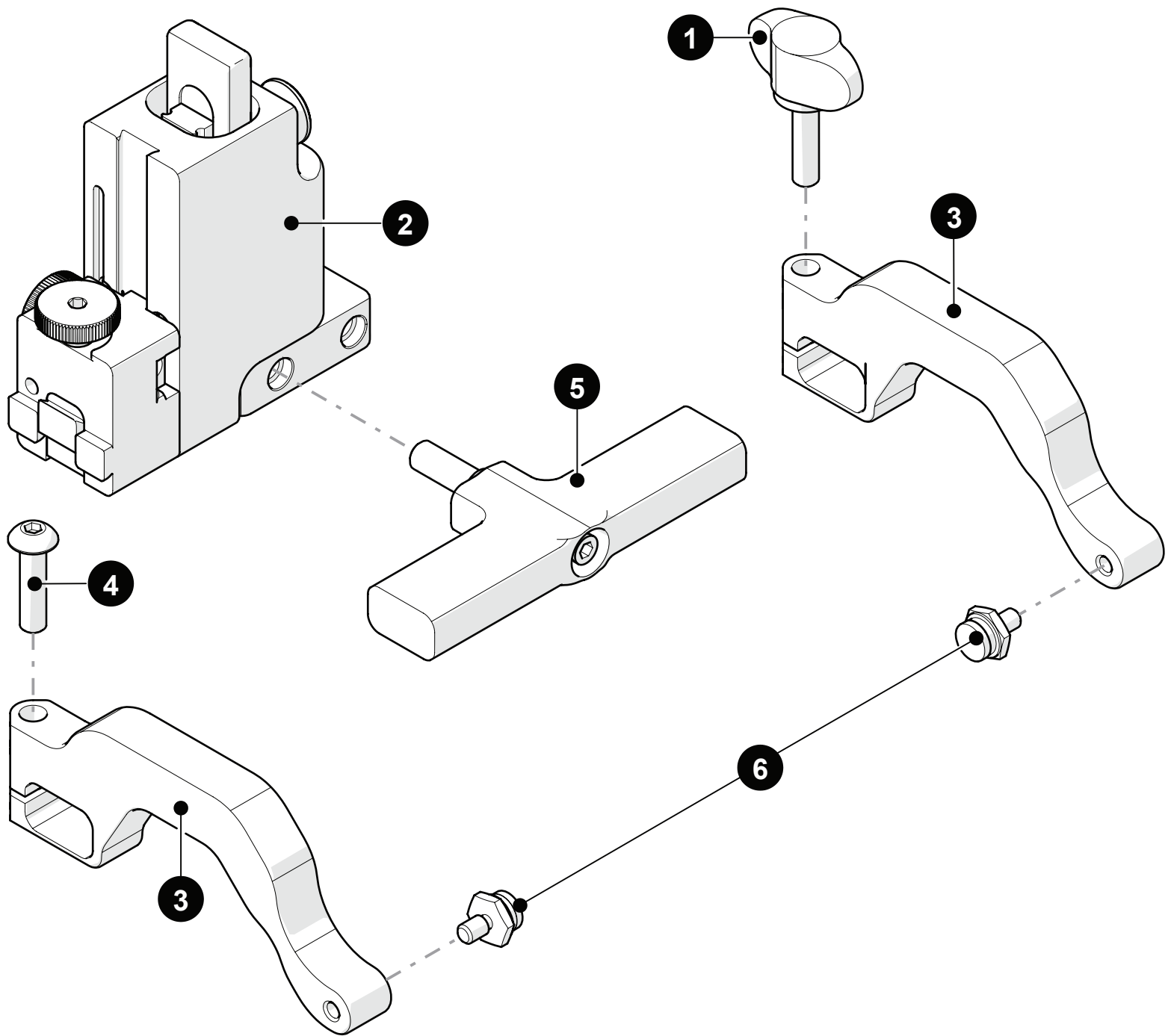


BOM ID	Part #	Description
1	PHS028	Vertical Probe Holder Subassembly
2	MA307	Screw, M4x16 mm High Strength SST SHCS
3	PH0087	Vertical Probe Holder Base
4	MD050-016	SHCS, M4 x 0.7 x 16 mm, SST
5	MA096	Screw, M3x8 mm Dog Point Set, SST
6	MD050-010	SHCS, M4 x 0.7 x 10 mm, SST
7	PH0082	Knurled Knob, M4 x 0.7 x 10 mm, 3 mm stand off, SST
8		see Yoke Style
9		see Arm Style
10	PH0011-X	Pivot Button Style (see Pivot Button Style)

Spare Parts

HEAVY DUTY VERTICAL PROBE HOLDER

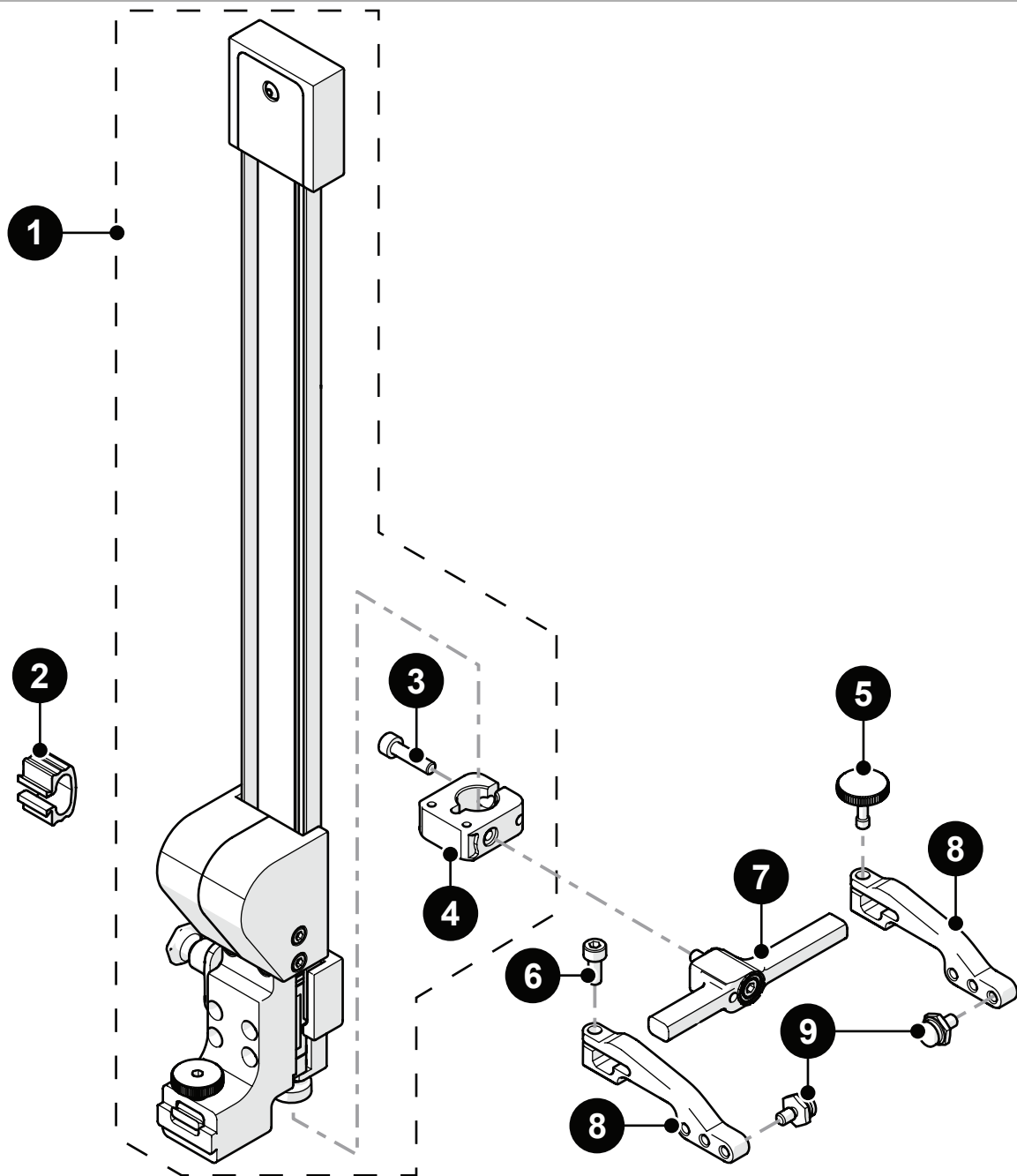
PHS043-



BOM ID	Part #	Description
1	EA154	Probe Holder Arm Adjustment Knob
2	PHS049	Heavy Duty Probe Holder Subassembly
3	PH0165	Probe Holder Arm
4	MD074-020	BHCS, M5 x 0.8 x 20 mm, SST
5	<i>See Heavy Duty Yoke Style</i>	
6	PH0011-X	Pivot Button Style (<i>See Pivot Button Style</i>)

LONG STROKE VERTICAL PROBE HOLDER

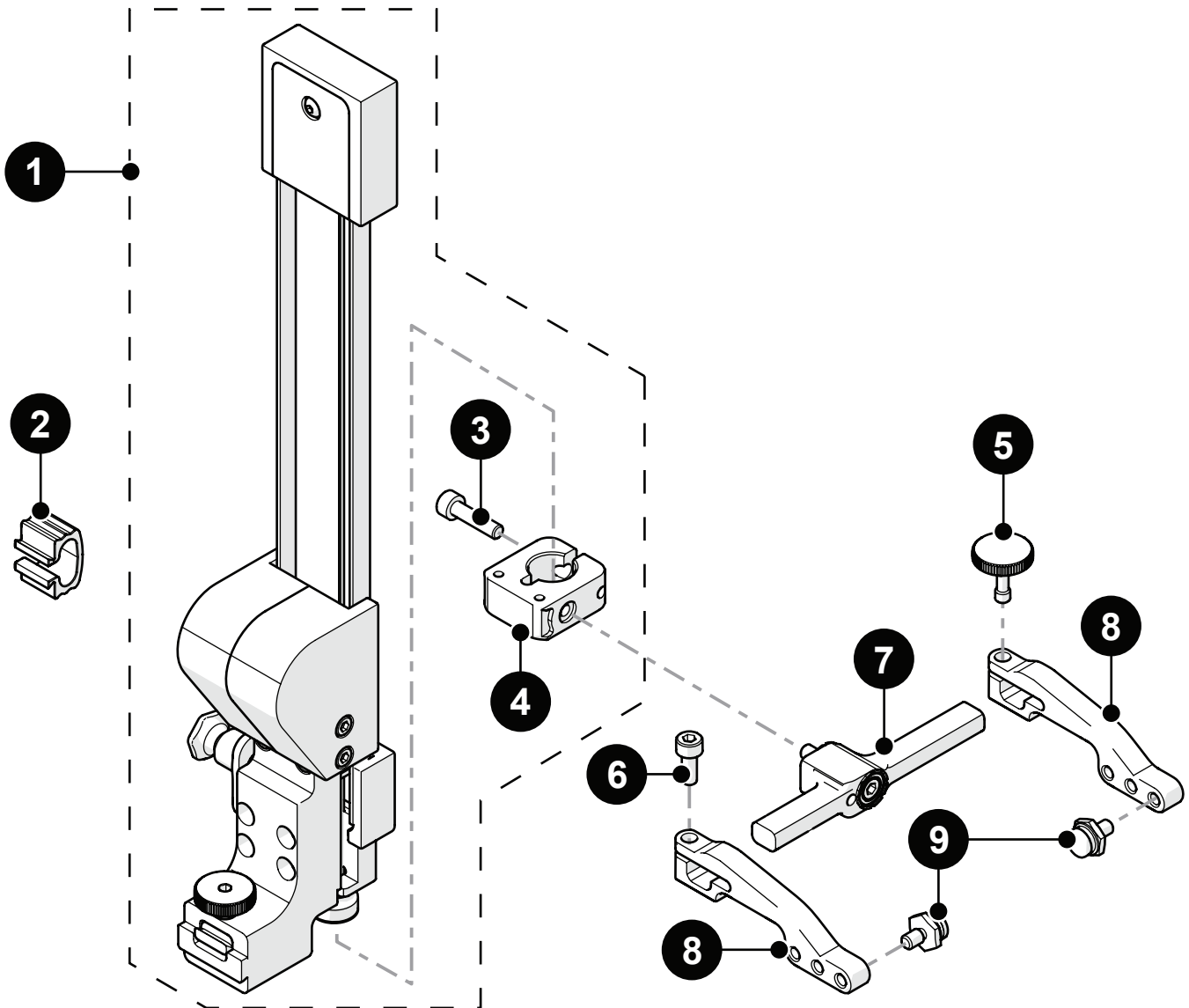
PHA020-



BOM ID	Part #	Description
1	PHS053	Long Stroke Vertical Probe Holder Subassembly
2	BG0091	Cable Clip
3	MD050-016	SHCS, M4 x 0.7 x 16 mm, SST
4	PH0087	Vertical Probe Holder Base
5	PH0082	Knurled Knob, M4 x 0.7 x 10 mm, 3 mm stand off, SST
6	MD050-010	SHCS, M4 x 0.7 x 10 mm, SST
7		
8	see Arm Style	
9	PH0011-X	Pivot Button Style (see Pivot Button Style)

MEDIUM STROKE VERTICAL PROBE HOLDER

PHA031-




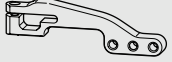



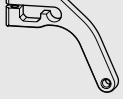




BOM ID	Part #	Description
1	PHS094	Long Stroke Vertical Probe Holder Subassembly
2	BG0091	Cable Clip
3	MD050-016	SHCS, M4 x 0.7 x 16 mm, SST
4	PH0087	Vertical Probe Holder Base
5	PH0082	Knurled Knob, M4 x 0.7 x 10 mm, 3 mm stand off, SST
6	MD050-010	SHCS, M4 x 0.7 x 10 mm, SST
7		see Yoke Style
8		see Arm Style
9	PH0011-X	Pivot Button Style (see Pivot Button Style)

Spare Parts

PROBE HOLDER COMPONENTS

Arm Style

Arm Style	Part #		Arm Style	Part #	
A Standard, Flat	PH0090		B Short, Flat	PH0089	
C Long, Flat	PH0099		D Standard, Drop	PH0093	
E Short, Drop	PH0092		F Long, Drop	PH0094	
G Standard, Extra-Drop	PH0096		H Short, Extra-Drop	PH0095	
I Extra-Short, Flat	PH0159		J Extra-Short, Drop	PH0161	









Yoke Style

Yoke Style	Part #	Length		Yoke Style	Part #	Length	
S Standard	PHS052	6.3 cm (2.47 in)		W Wide	PHS063	7.9 cm (3.06 in)	

Heavy Duty Yoke Style

Yoke Style	Part #	Length		Yoke Style	Part #	Length	
S Standard	PHS048	8.3 cm (3.26 in)		W Wide	PHS047	12.2 cm (4.79 in)	

Pivot Button Style

Pivot Hole Size	Wedge Type		Pivot Hole Size	Wedge Type	
01 8.0 mm (0.32 in)	Olympus PA		02 5.0 mm (0.20 in)	Olympus TOFD	
03 2.7 mm (0.11 in)	Sonatest DAAH PA		04 9.5 mm (0.38 in)	-	
06 3.0 mm (0.12 in)	-		07 2.3 mm (0.09 in)	-	
08 Conical Head	-		09 5 mm (0.20 in) Internal	Zetec PA/TOFD	

Swing Arm Style

Swing Arm Style	Part #	Length		Swing Arm Style	Part #	Length	
Short	PH0069	4.1 cm (1.61 in)		Long	PH0100	4.6 cm (1.81 in)	