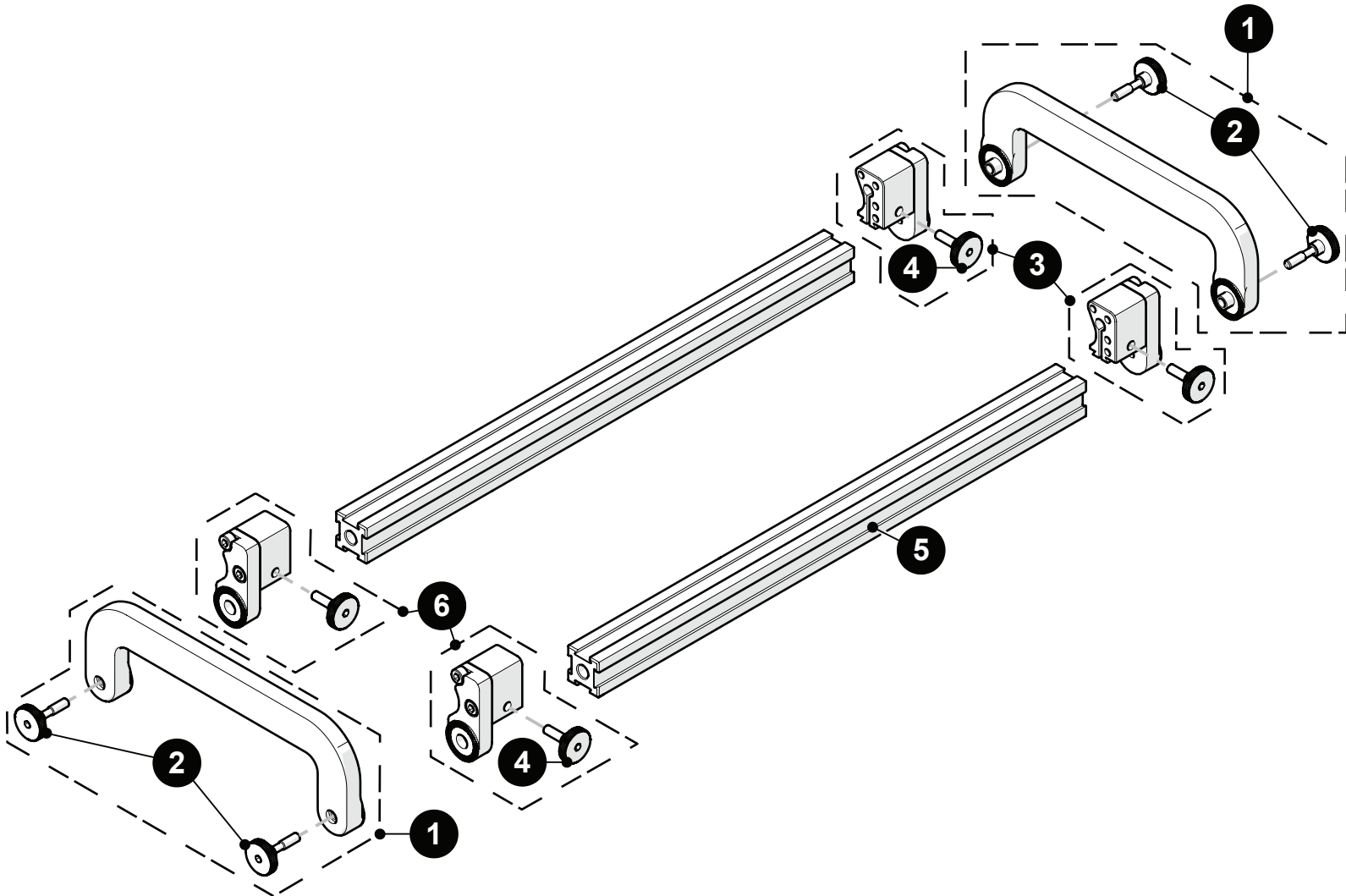


Spare Parts

LOW PROFILE PROBE HOLDER FRAME

CXG004-



BOM ID	Part #	Description
1	CXS023	Low profile side arm
2	CX0125	Knob, M4 x 16 mm
3	CXS072-L	Arm mount block, left
4	CX0126	Knurled knob, M4 x 0.7 x 11.5 mm, 3 mm hex, 4 mm stand off, SST
5	BG0038-	Frame bar (see <i>Frame Bar</i>)
6	CXS072-R	Arm mount block, right

Frame Bar

Part #	Length	Part #	Length
BG0038-05	5 cm (1.97 in)	BG0038-10	10 cm (3.94 in)
BG0038-15	15 cm (5.91 in)	BG0038-20	20 cm (7.87 in)
BG0038-25	25 cm (9.84 in)	BG0038-30	30 cm (11.81 in)
BG0038-35	35 cm (13.78 in)	BG0038-40	40 cm (15.75 in)
BG0038-45	45 cm (17.72 in)	BG0038-50	50 cm (19.69 in)
BG0038-55	55 cm (21.65 in)		

Edmonton Office: 780.922.4534
 Houston Office: 832.564.0626
 Rotterdam Office: +31 85 002 0801

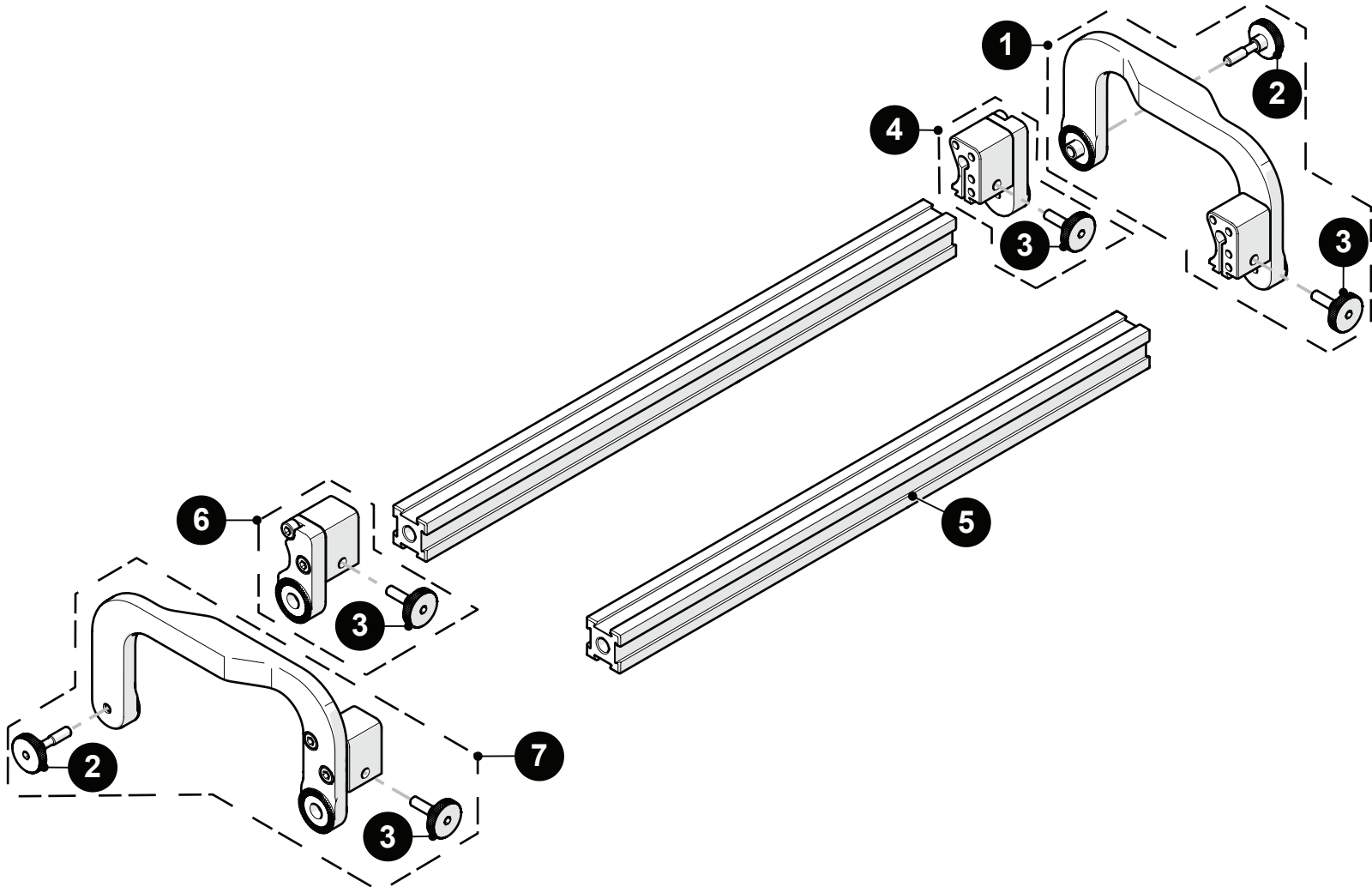
Email: info@jireh.com
 Web: jireh.com



Spare Parts

VERTICAL PROBE HOLDER FRAME

CXG007-

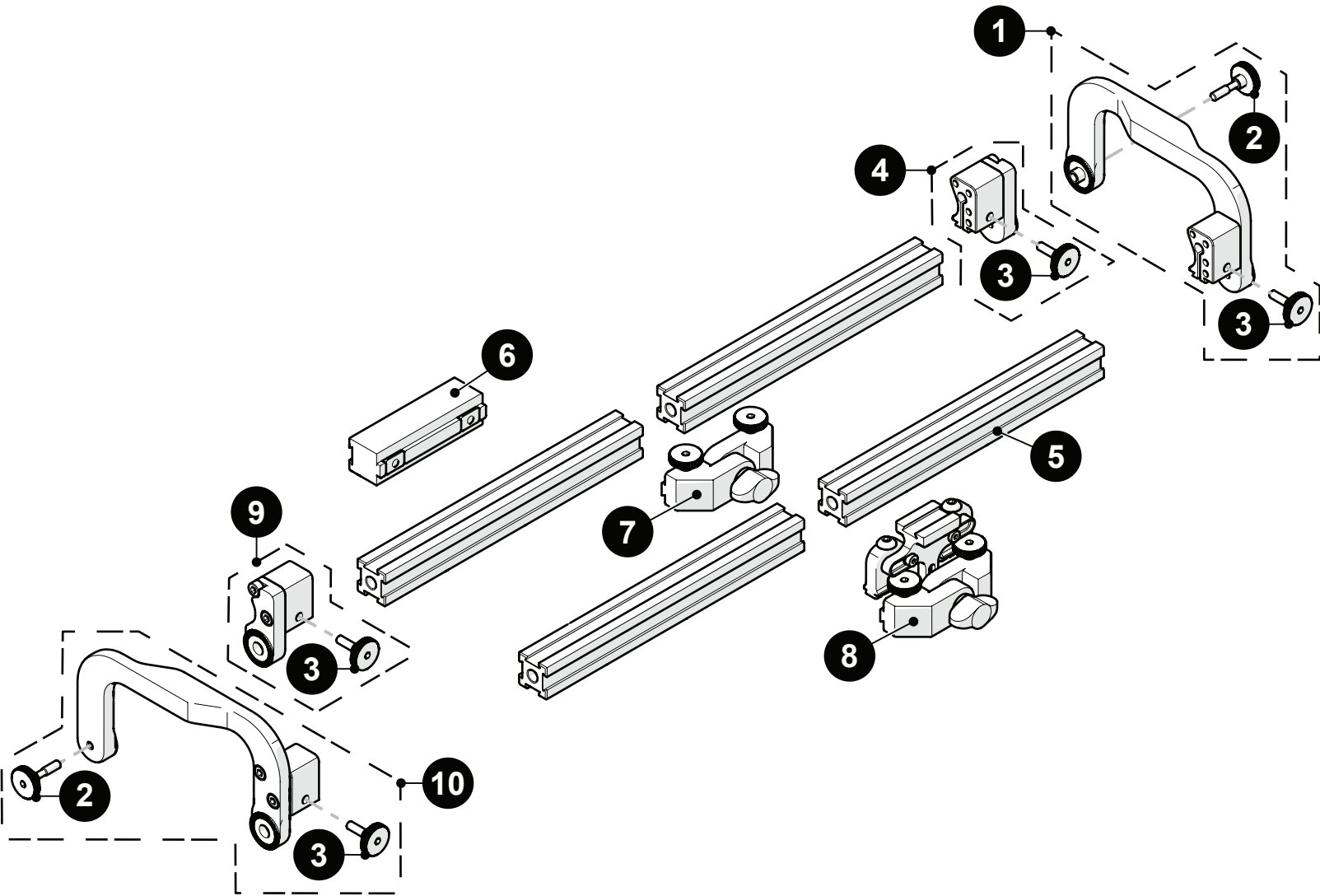


BOM ID	Part #	Description
1	CXS043	Vertical probe holder side arm, left
2	CX0125	Knob, M4 x 16 mm
3	CX0126	Knurled Knob, M4 x 0.7 x 11.5 mm, 3 mm hex, 4 mm stand off, SST
4	CXS072-L	Arm mount block, left
5	BG0038-	Frame bar (see <i>Frame Bar</i>)
6	CXS072-R	Arm mount block, right
7	CXS042	Vertical probe holder side arm, right

Spare Parts

PIVOTING PROBE HOLDER FRAME

CXG013-



BOM ID	Part #	Description
1	CXS043	Vertical Probe Holder Side Arm, Left
2	CX0125	Knob, M4 x 16 mm
3	CX0126	Knurled Knob, M4 x 0.7 x 11.5 mm, 3 mm hex, 4 mm stand off, SST
4	CXS072-L	Arm Mount Block, Left
5	BG0038-X	Frame Bar (see Frame Bar)
6	CXS064	NAVIC Front Spacer Mount
7	CXS055	Frame Bar Pivot
8	CXS059	Optical Guide Pivot Mount
9	CXS072-R	Arm Mount Block, Right
10	CXS042	Vertical Probe Holder Side Arm, Right