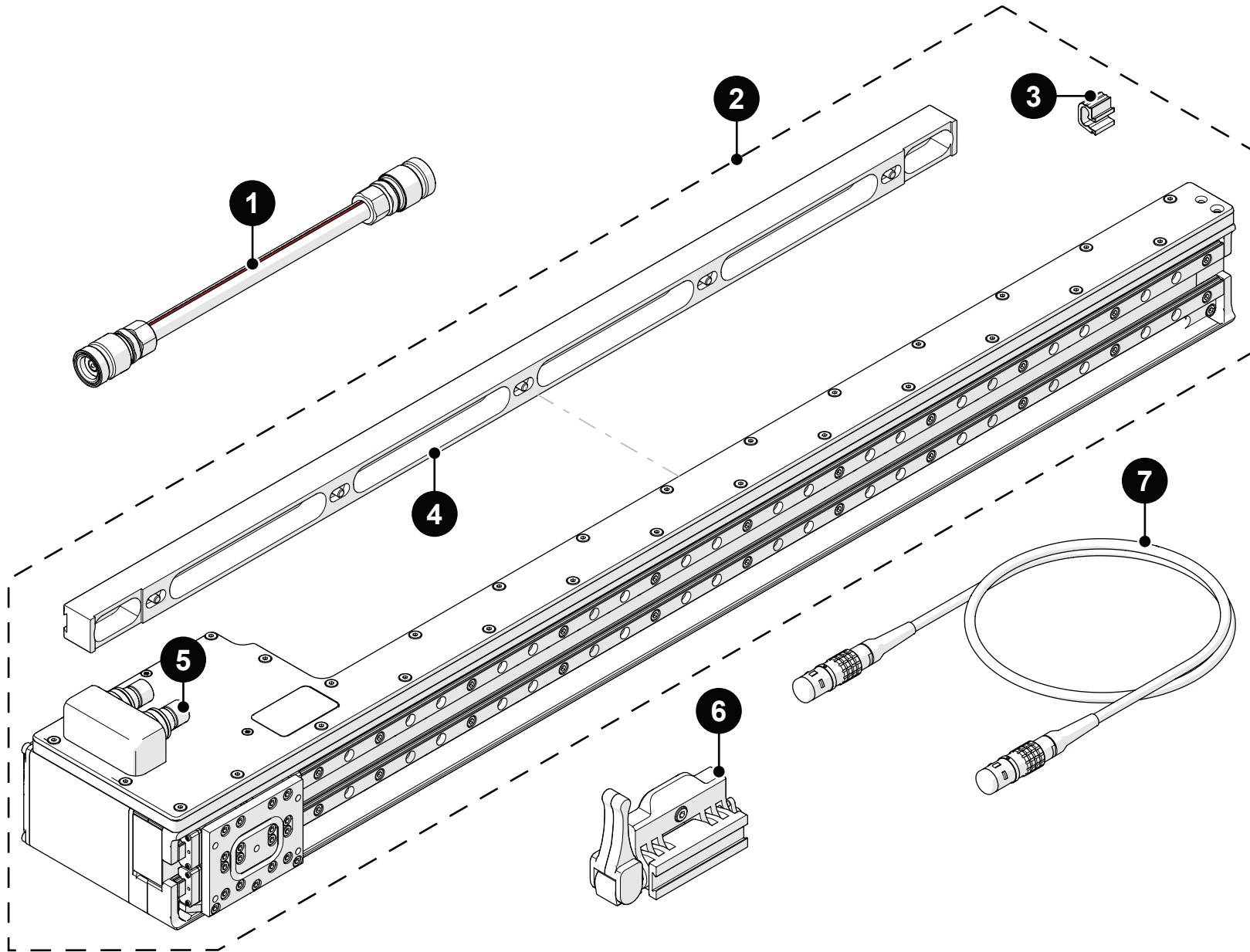


Spare Parts

RASTER ARM HT

EDG001-



BOM ID	Part #	Description
1	DPA004-RED-0.30	Hose Red, 30 cm
2	<i>see Base Raster Arm HT</i>	
3	CW0096	Cable Management Clip
4	<i>See Mounting Rail</i>	
5	LA125	Quick Connect Fitting
6	CWS023	Raster Arm Pivot Nose (<i>female</i>)
7	<i>see Raster Arm Cable</i>	

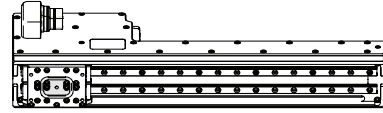
Spare Parts

RASTER ARM HT

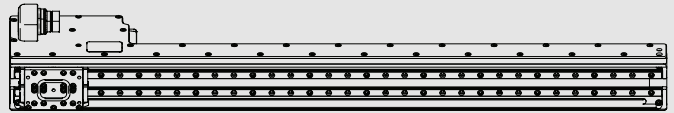
Base Raster Arm HT

Part #	Compatible with
--------	-----------------

EDA002-0300	300 mm (12 in)
-------------	----------------



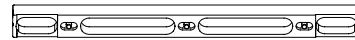
EDA002-0600	600 mm (24 in)
-------------	----------------



Mounting Rail

Part #	Compatible with
--------	-----------------

CWS008-0300	300 mm (12 in)
-------------	----------------



CWS008-0600	600 mm (24 in)
-------------	----------------



Raster Arm Cable

Part #	Compatible with
--------	-----------------

UMA020-0.70	300 mm (12 in)
-------------	----------------



UMA020-0.84	600 mm (24 in)
-------------	----------------

