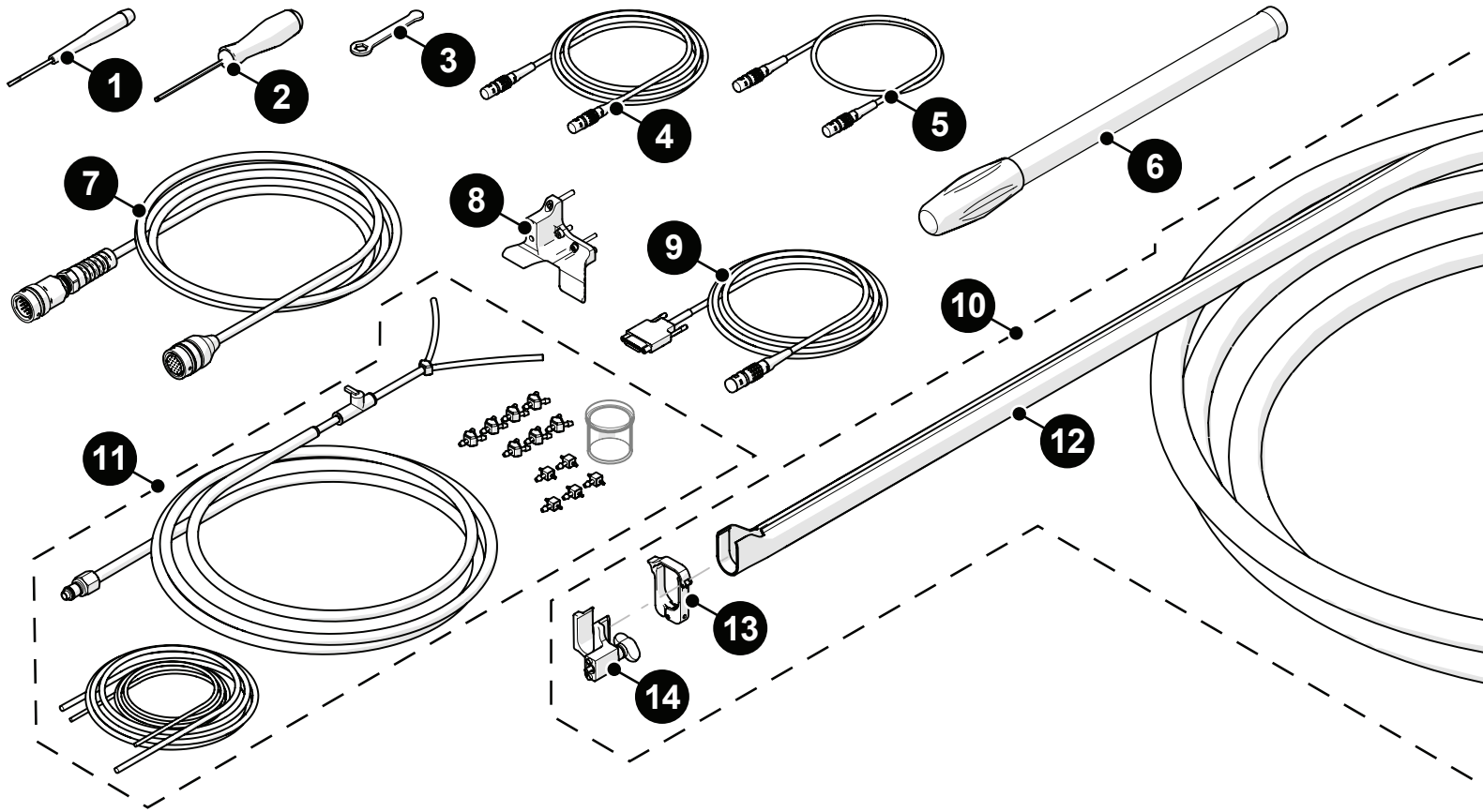


Spare Parts

■ SKOOT • HT KIT

DPG001-



BOM ID	Part #	Description
1	EA480	Flat Driver: 3 mm (0.118 in)
2	EA414	Hex Driver: 3 mm (0.118 in)
3	EA470	3/8 in Wrench
4	UMA017-06	Auxiliary Cable 6 m (19.6 ft)
5	UMA017-01	Auxiliary Cable 1 m (3.3 ft)
6	DNS006	Manipulation Handle
7	UMA043-07.5	SKOOT HT Umbilical 7.5 m (25 ft)
8	DNG006	Pry Point
9	UMA025-X-07.5	J300 Encoder Cable (see Encoder Connector Type)
10	CXS113-X	HT Cable Management (various lengths available)
11	CMG009-X	Irrigation Kit, 2-4 Probe, Large Tube (various lengths available)
12		see HT Cable Management Sleeving
13	CXS114	HT Cable Management Clamp
14	CXS112	HT Cable Management Mount: threaded mount

Spare Parts

■ SKOOT • HT KIT

Encoder Connector Type

Connector Type	Company/Instrument	Connector Type	Company/Instrument
B	Olympus OmniScan MX Zetec Topaz	G	Sonotron Isonic 25xx
C	Olympus Focus LT Zetec Z-Scan Eddyfi Ectane 2	U	Sonatest Veo / Prisma
E	Olympus OmniScan SX/MX2/X3 M2M MANTIS/GEKKO LEMO	V	Pragma PAUT
F	TD (<i>Technology Design</i>)	AD	Sonatest Veo / Prisma - Single Axis

NOTE: Additional encoder connector types available. Contact JIREH for more information.

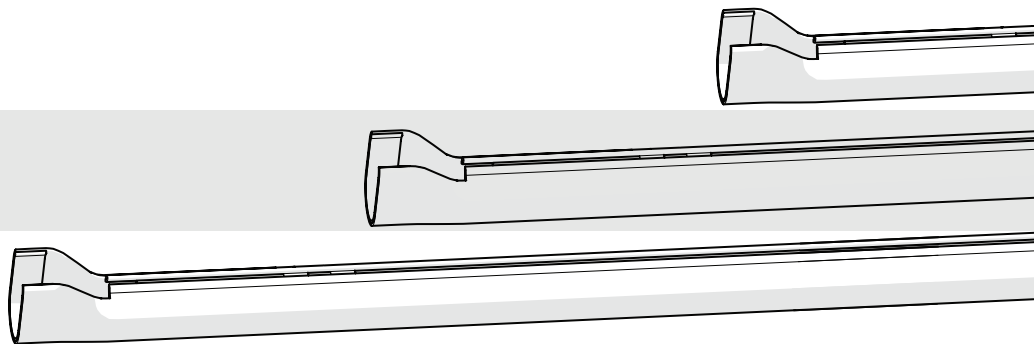
HT Cable Management Sleeving

Part #	Length
--------	--------

CX0537-04.5	4.5 m (14.7 ft)
-------------	-----------------

CX0537-07	7 m (23 ft)
-----------	-------------

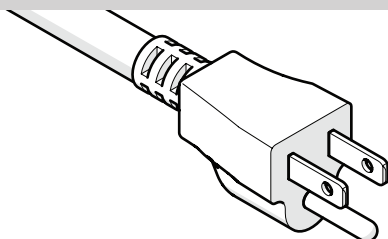
CX0537-29.5	29.5 m (96.7 ft)
-------------	------------------



Power Cord Type

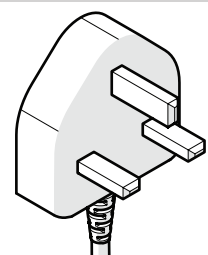
Connector Type	Power Cord
----------------	------------

N SL032	North American
--------------------------	----------------

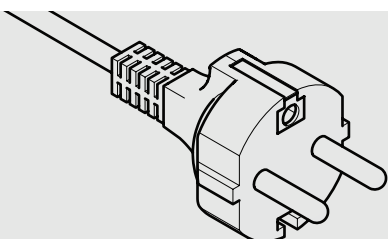


Connector Type/ Part #	Power Cord
------------------------	------------

U SL059	United Kingdom
--------------------------	----------------



E SL039	European
--------------------------	----------

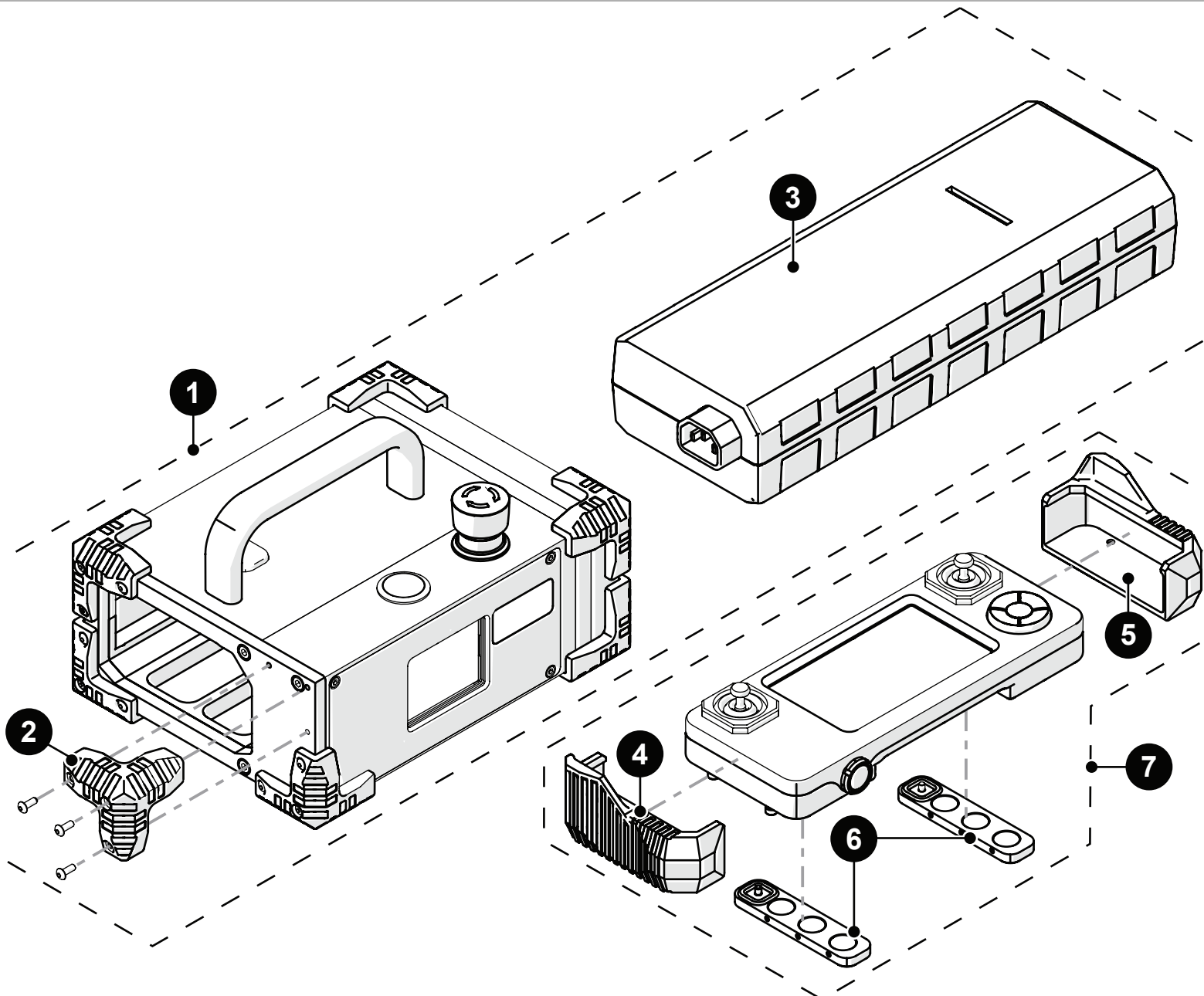


Z	No Cord
----------	---------

Spare Parts

■ SKOOT • HT KIT

DPG001-



BOM ID	Part #	Description
1	CXA040	Power controller (see Power Cord Type)
2	DY0011	Rubber bumper
3	CXS122	Power supply
4	DM0067-L	Handheld controller bumper (left)
5	DM0067-R	Handheld controller bumper (right)
6	DMS005	Handheld controller magnet holder
7	DMA006	Handheld controller