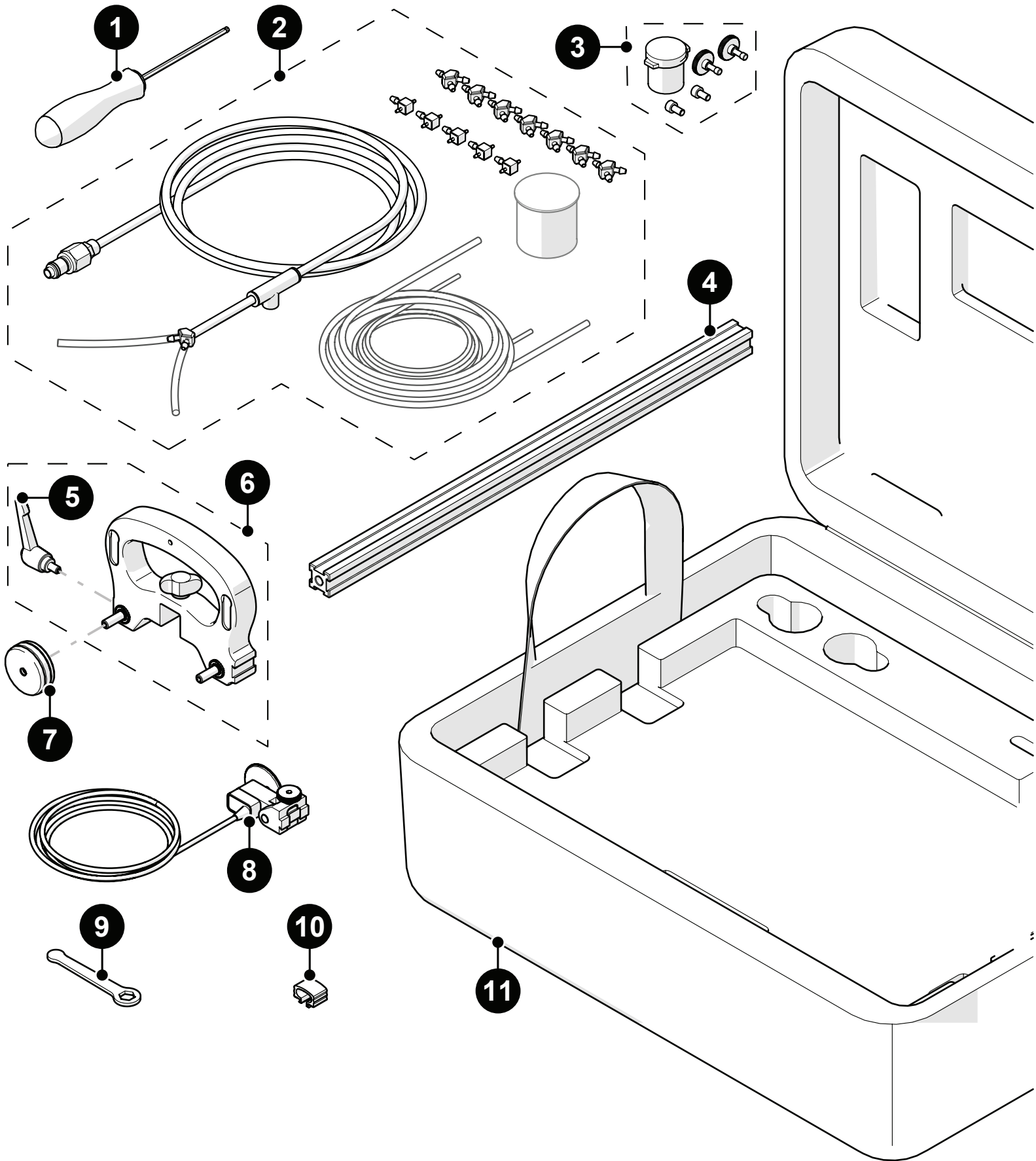


Spare Parts

■ **STIX** KIT

BGG002 | BGG003



Spare Parts



BGG002 | BGG003

BOM ID	Part #	Description
1	EA414	3 mm hex driver
2	CMG007	Irrigation kit, 2-4 probe
3	PHG014	2 probe spare parts kit
4	BG0038-40	Frame bar, 40 cm (15.7 in) (see frame bars)
5	BTS018	Brake handle
6	BGS058	Wheel block with handle (wheels not included)
7	BTS031	Magnetic wheel
8	BGS053-X-05	Spring-loaded encoder (see Encoder Connector Type)
9	EA470	3/8 in wrench
10	BG0091	Cable clip
11	BGA005	STIX case

Encoder Connector Type

Connector Type	Company/Instrument	Connector Type	Company/Instrument
B	Olympus OmniScan MX Zetec Topaz	G	Sonotron Isonic 25xx
C	Olympus Focus LT Zetec Z-Scan Eddyfi Ectane 2	U	Sonatest Veo / Prisma
E	Olympus OmniScan SX/MX2/X3 M2M MANTIS/GEKKO LEMO	V	Pragma PAUT
F	TD (Technology Design)	AD	Sonatest Veo / Prisma - Single Axis

NOTE: Additional encoder connector styles are available. (contact Jireh Industries Ltd. on page 1 for details)

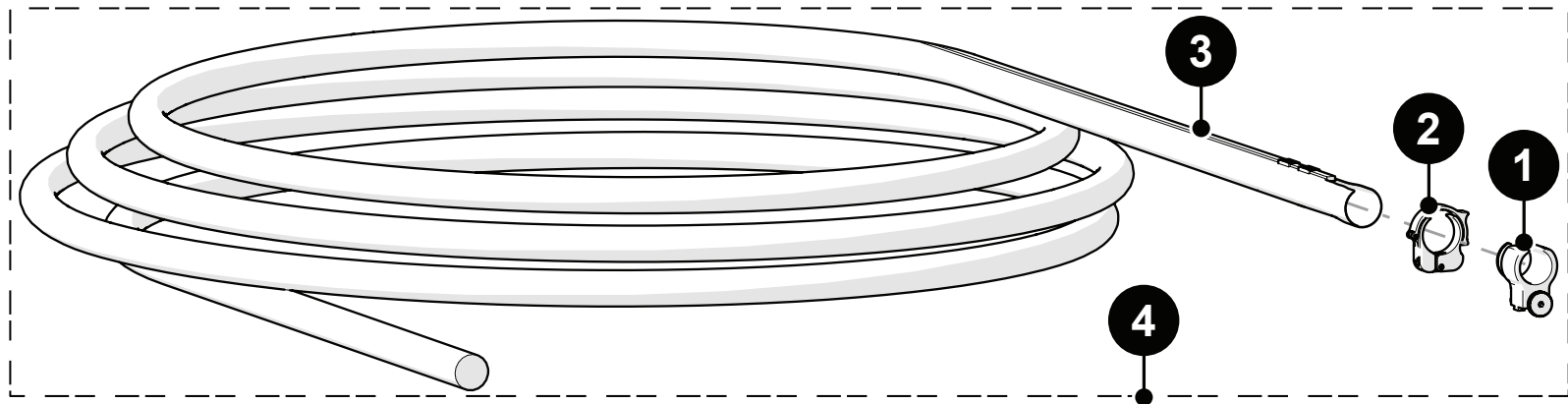
Frame Bars

Part #	Length	Part #	Length
BG0038-05	5 cm (1.97 in)	BG0038-10	10 cm (3.94 in)
BG0038-15	15 cm (5.91 in)	BG0038-20	20 cm (7.87 in)
BG0038-25	25 cm (9.84 in)	BG0038-30	30 cm (11.81 in)
BG0038-35	35 cm (13.78 in)	BG0038-40	40 cm (15.75 in)
BG0038-45	45 cm (17.72 in)	BG0038-50	50 cm (19.69 in)
BG0038-55	55 cm (21.65 in)		

Spare Parts

STIX

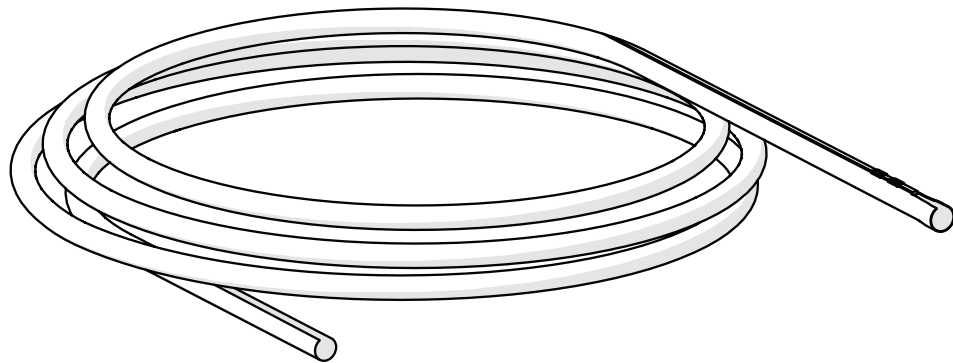
Cable Management



BOM ID	Part #	Description
1	CES067	Cable Management Mount, Dovetail Mount
2	CES066	Cable Management Clamp, Dovetail Mount
3	<i>See Cable Management Sleeving</i>	
4	CES044-	Cable Management: Dovetail (<i>see cable management sleeving</i>)

Cable Management Length

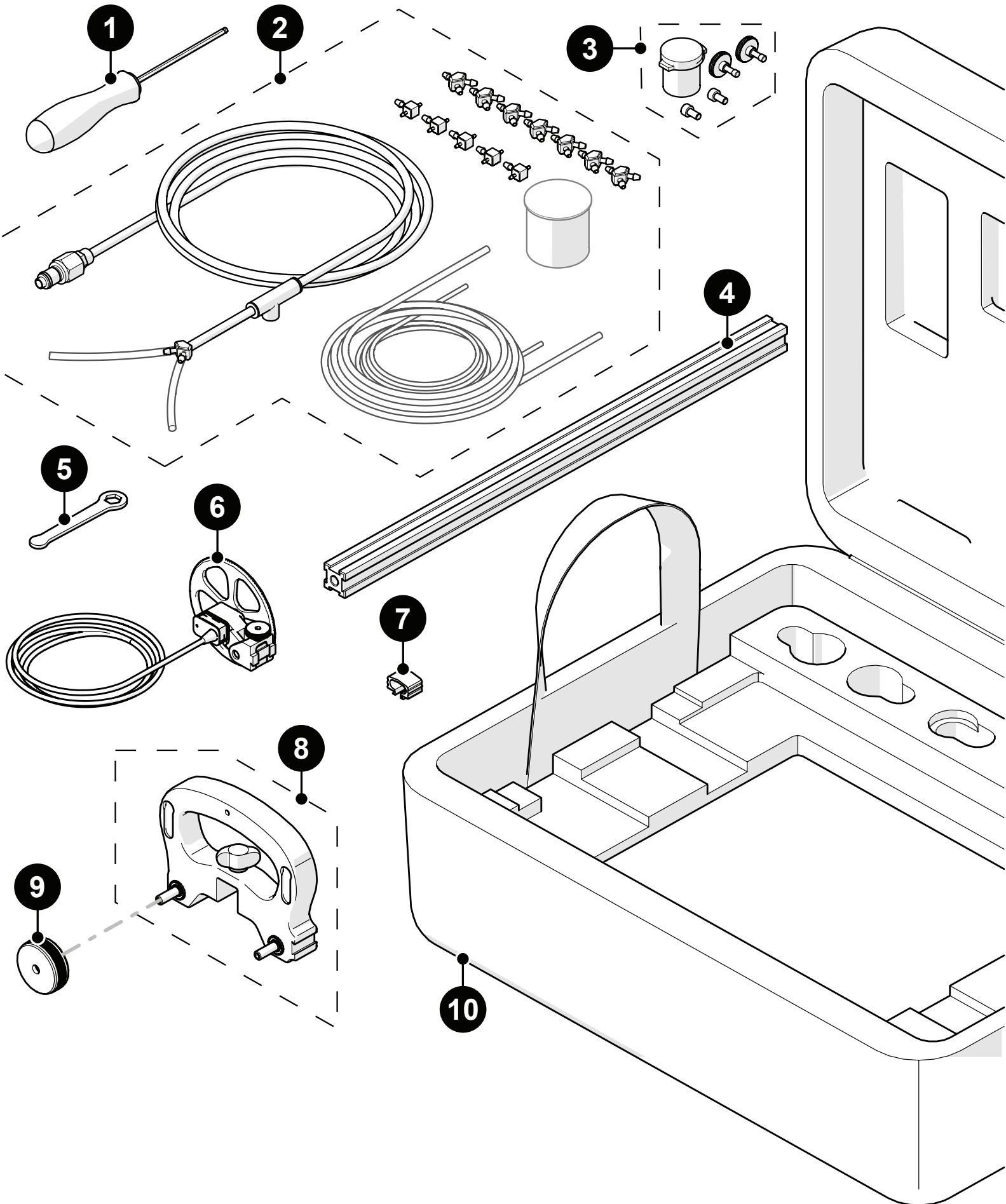
Part #	Length
CX0141	4.5 m (14.7 ft)
CX0145	9.5 m (31.2 ft)



Spare Parts

■ STIX

BGG014



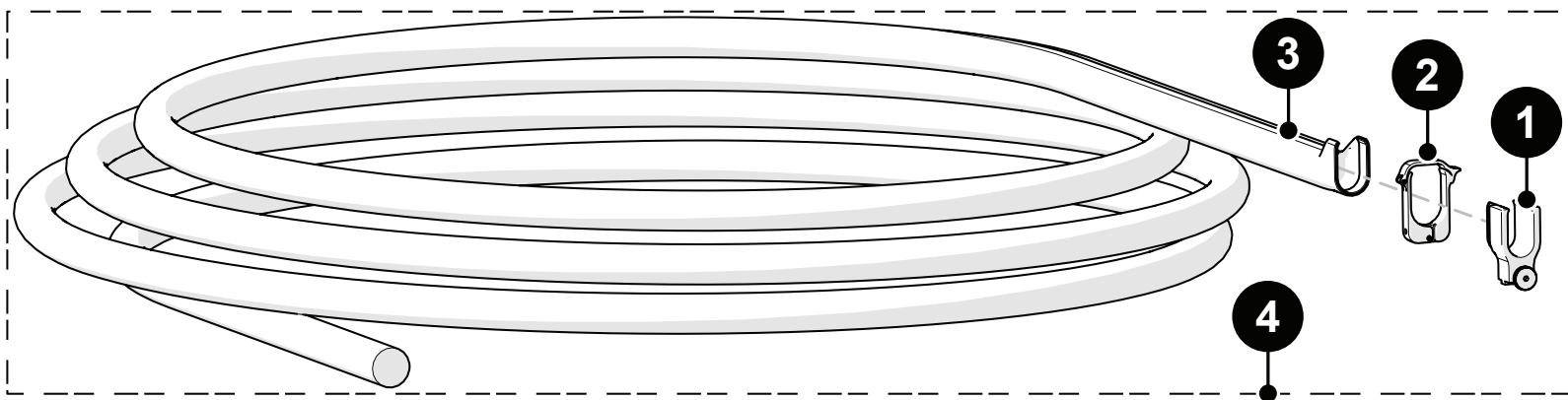
Spare Parts

■ STIX

BGG0014

BOM ID	Part #	Description
1	EA414	3 mm hex driver
2	CMG007	Irrigation kit, 2-4 probe
3	PHG014	2 probe spare parts kit
4	BG0038-40	Frame bar, 40 cm (<i>see frame bars</i>)
5	EA470	3/8 in wrench
6	BGS071-	High temperature spring-loaded encoder (<i>see Encoder Connector Type</i>)
7	BG0091	Cable clip
8	BGS058	Wheel block with handle (<i>wheels not included</i>)
9	BTS052	High temperature magnetic wheel
10	BGA005	STIX case

High Temperature Cable Management



BOM ID	Part #	Description
1	CES090	High Temperature Cable Management Mount
2	CXS114	High Temperature Cable Management Clamp
3	CX0537-04.5	High Temperature Cable Management Sleeving, 4.5 m (14.8 ft)
4	CES089-04.5	High Temperature Cable Management, 4.5 m (14.8 ft)