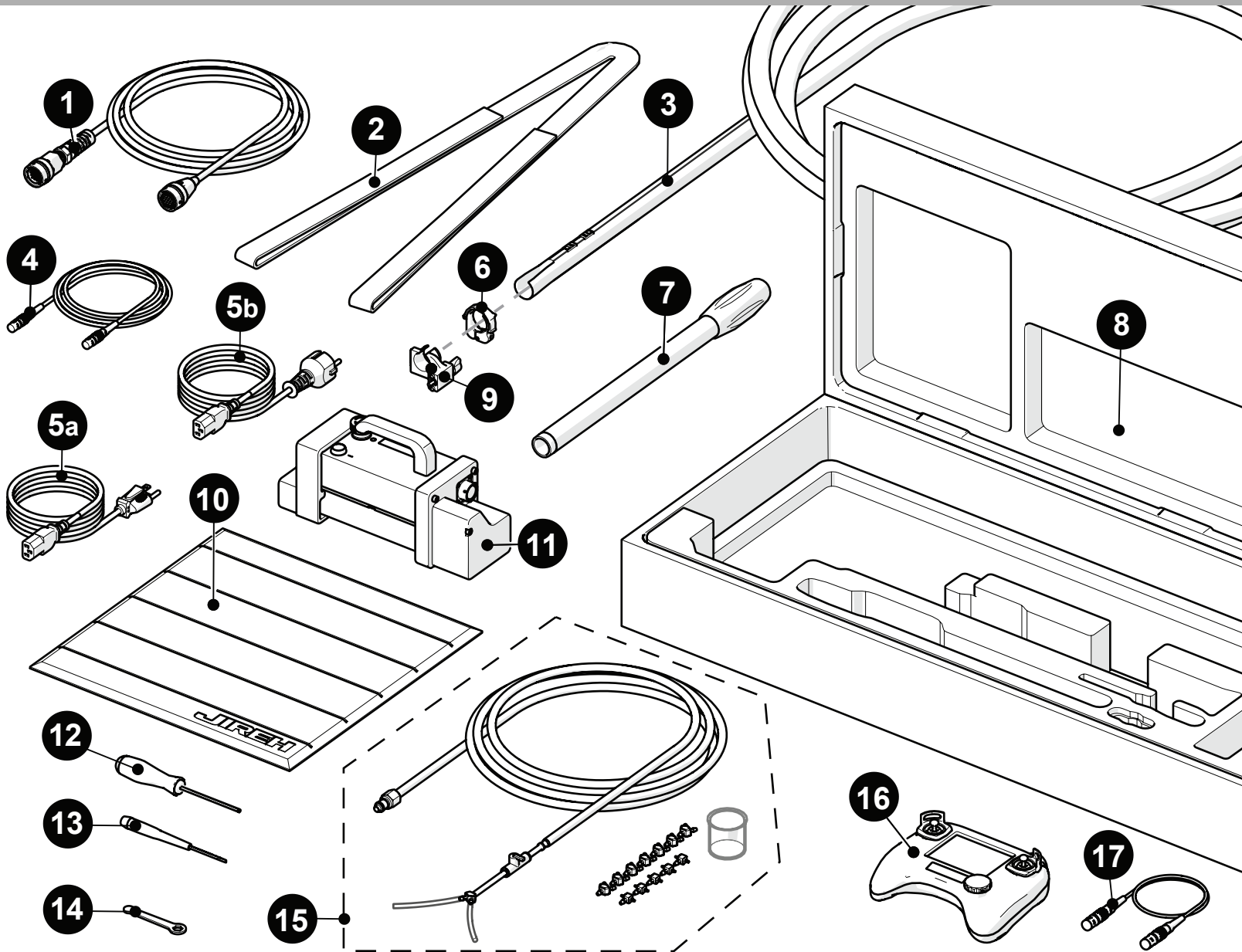


Spare Parts

SKOOT KIT

DNG001



BOM ID	Part #	Description
1	UMA022-X	Umbilical (various lengths available)
2	EA243	Sling
3		See Cable Management Sleeving
4	UMA017-06	Controller Cable
5a	SL039	Power Cord - North American
5b	SL032	Power Cord - European
6	CES066	Cable Management Clamp
7	DNS006	Manipulation Handle
8	DNA008	Skoot Case
9	CXS073	Cable Management Mount
10	AAS061	Installation/Removal Mat
11	DNA006-X	Power Controller (Compatible with North American or European)
12	EA414	3 mm Hex Driver
13	EA480	3 mm Flat Driver
14	EA470	3/8 in. Wrench
15	CMG009-X	Irrigation Kit, 2-4 Probe, Large Tube (various sizes available)
16	DMA001	Handheld Controller
17	UMA025-X	Encoder Cable (see Encoder Connector Type)

Spare Parts

SKOOT KIT

Encoder Connector Type

Connector Type	Company/Instrument
B	Olympus - OmniScan MX / Zetec - ZIRCON, TOPAZ
C	Olympus - Focus LT / Zetec Z-Scan
D	Olympus - OmniScan MX2, OmniScan SX
F	TD - Focus Scan, Handy Scan, Pocket Scan

Connector Type	Company/Instrument
G	Sonotron - Isonic
M	GE - USM Vision
U	Sonatest - VEO, PRISMA
V	Pragma PAUT 16/128, PragmaLite / Pragma UT400

Cable Management Sleeving

Part #	Length
CX0141	4.5 m (14.8 ft)
CX0145	9.5 m (31.2 ft)
CX0146	14.5 m (47.6 ft)
CX0224	29.5 m (96.8 ft)

