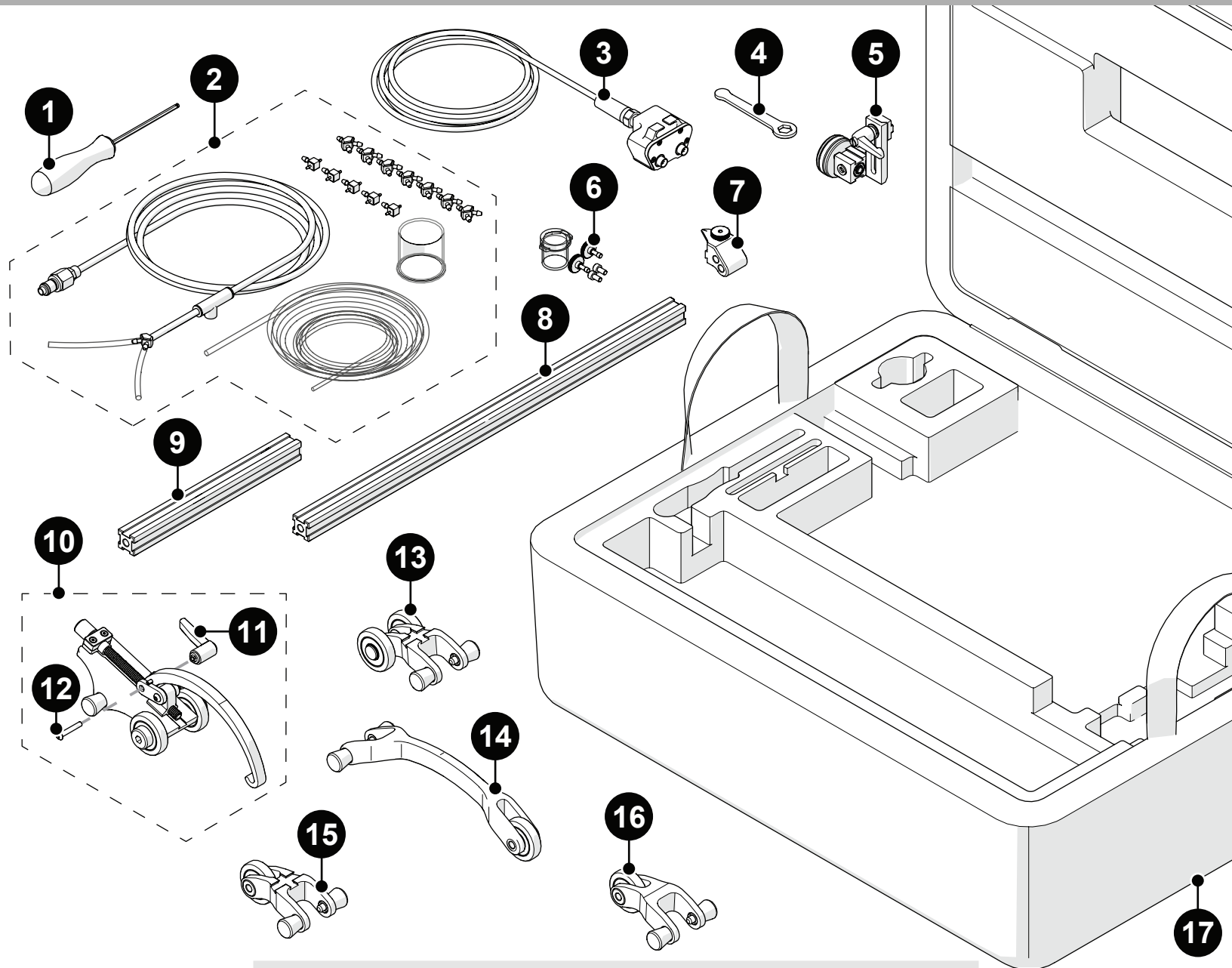


Spare Parts

■ ROTIX KIT

CEG002 | CEG011



BOM ID	Part #	Description
1	EA414	3 mm (0.118 in) hex driver
2	CMG007	Irrigation kit, 2-4 probe
3	UMA012-X-05	Umbilical housing (see Encoder Connector Type)
4	EA470	10 mm (3/8 in) wrench
5	BTS049	Stabilizer wheel
6	PHG014	2 probe spare parts kit
7	CES028	Chain mounting bracket
8	BG0038-45	Frame bar, 45 cm
9	BG0038-20	Frame bar, 20 cm
10	CES005	Buckle
11	CE0015	Ratchet lever
12	MD073-025	BHCS, M4x0.7 X 25mm, SST
13	CES003	Catch link (red)
14	CES009	Long link
15	CES024	Short link with dovetail
16	CES002	Short link
17	CEA002	ROTIX case