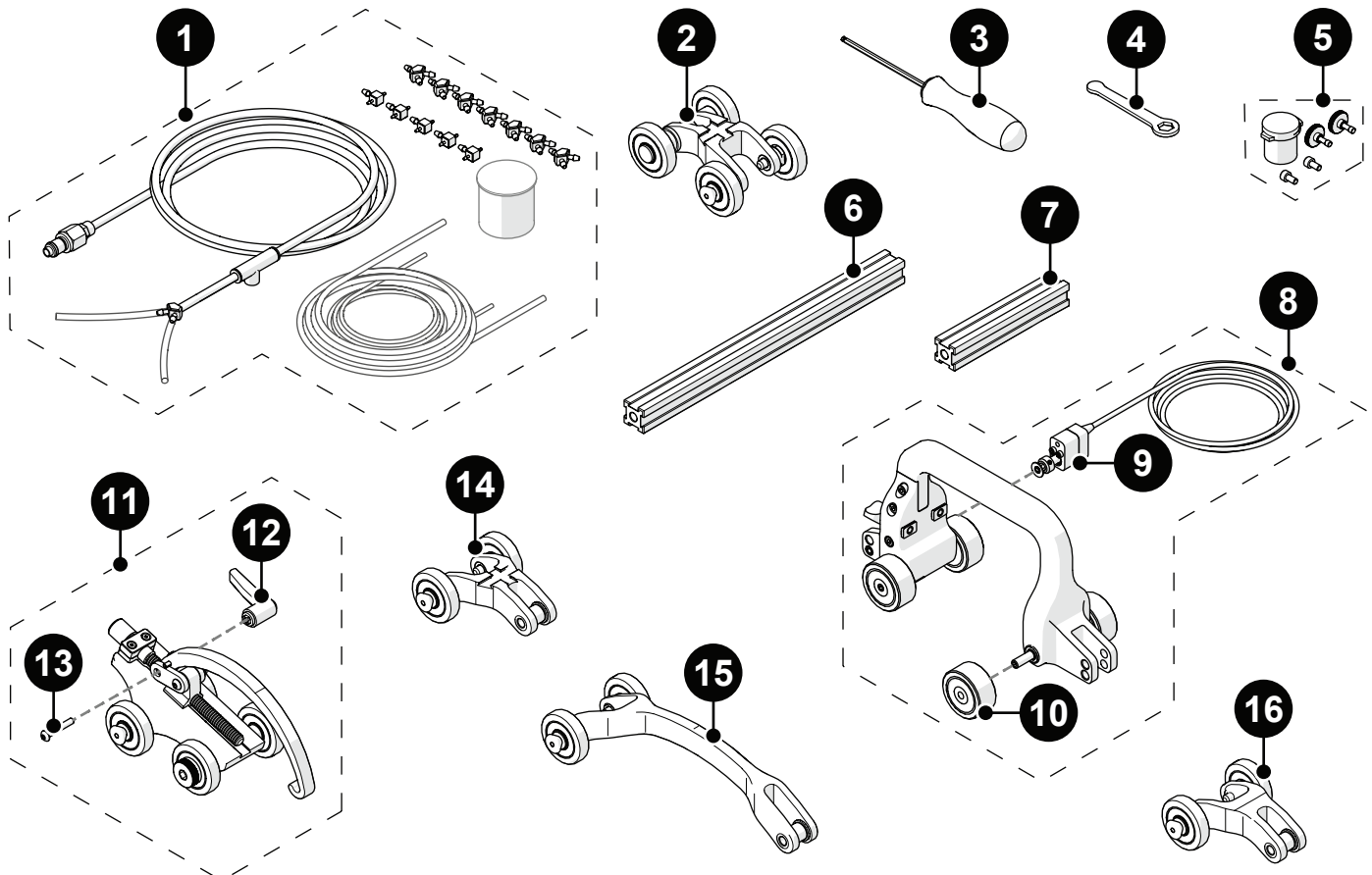


Spare Parts

■ ROTIX REDUCED WIDTH

CEG017



BOM ID	Part #	Description	BOM ID	Part #	Description
1	CMG007	Irrigation Kit, 2-4 Probe	9	CES047-X	Reduced Width Encoder Assembly (see Enc. Con. Type)
2	CES035	Double Wheel Catch Link	10	CES012	Non-Magnetic Wheel
3	EA414	3 mm Hex Driver	11	CES036	Buckle
4	EA470	3/8 in Wrench	12	CE0015	Ratchet Lever
5	PHG014	Probe Holder Spare Parts Kit	13	MD073-024	BHCS, M4x0.7 X 25 mm, SST
6	BG0038-25	Frame Bar, 25 cm	14	CES040	Double Wheel Dovetail Link
7	BG0038-10	Frame Bar, 10 cm	15	CES034	Double Wheel Long Link
8	CES046-X-05	Reduced Width ROTIX Link (see Encoder Connector Type)	16	CES033	Double Wheel Short Link

Frame Bar

Part #	Length	Part #	Length
BG0038-05	5 cm (1.969 in)	BG0038-10	10 cm (3.937 in)
BG0038-15	15 cm (5.906 in)	BG0038-20	20 cm (7.874 in)
BG0038-25	25 cm (9.843 in)	BG0038-30	30 cm (11.811 in)
BG0038-35	35 cm (13.780 in)	BG0038-40	40 cm (15.748 in)
BG0038-45	45 cm (17.717 in)	BG0038-50	50 cm (19.685 in)
BG0038-55	55 cm (21.654 in)		

Edmonton Office: 780.922.4534
 Houston Office: 832.564.0626
 Rotterdam Office: +31 85 002 0801

Email: info@jireh.com
 Web: jireh.com



Spare Parts

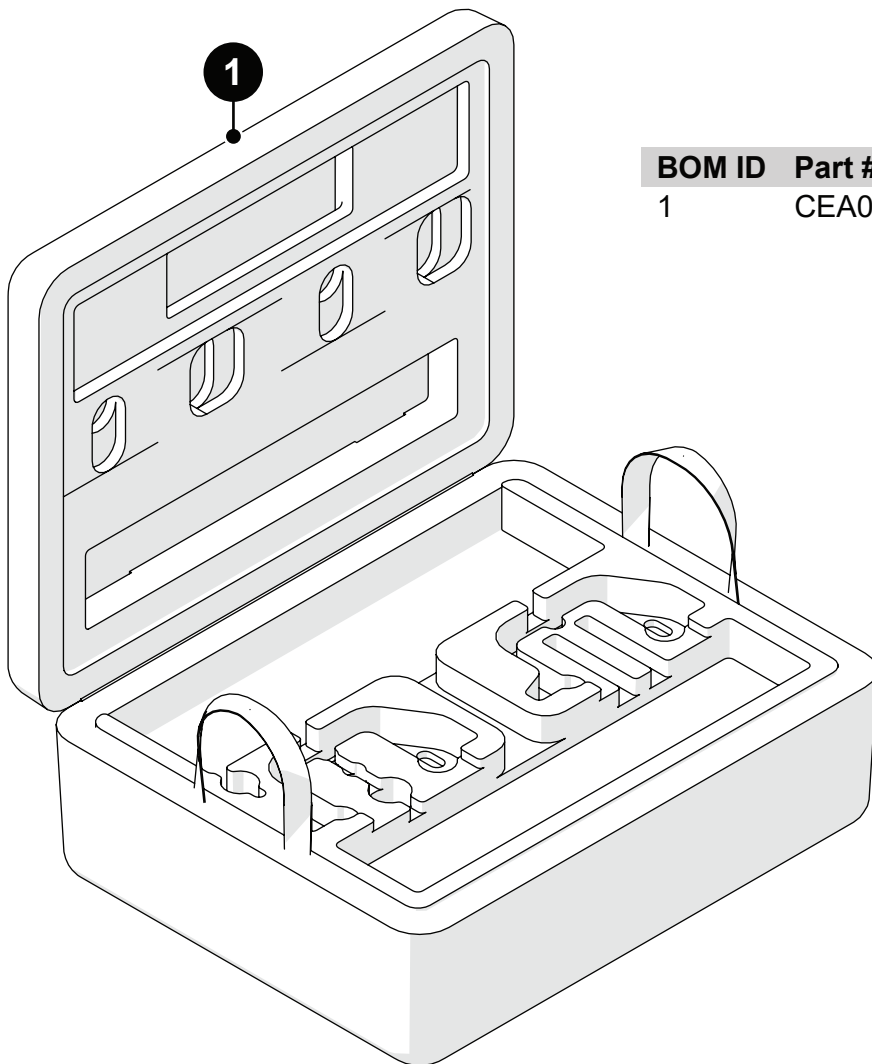
■ ROTIX REDUCED WIDTH

Encoder Connector Type

Connector Type	Company/Instrument	Connector Type	Company/Instrument
B	Olympus OmniScan MX Zetec Topaz	G	Sonotron Isonic 25xx
C	Olympus Focus LT Zetec Z-Scan Eddyfi Ectane 2	U	Sonatest Veo / Prisma
E	Olympus OmniScan SX/MX2/X3 M2M MANTIS/GEKKO LEMO	V	Pragma PAUT
F	TD (<i>Technology Design</i>)	AD	Sonatest Veo / Prisma - Single Axis

NOTE: Additional encoder connector types available. Contact JIREH for more information.

Case



BOM ID	Part #	Description
1	CEA013	ROTIX Reduced Width Case