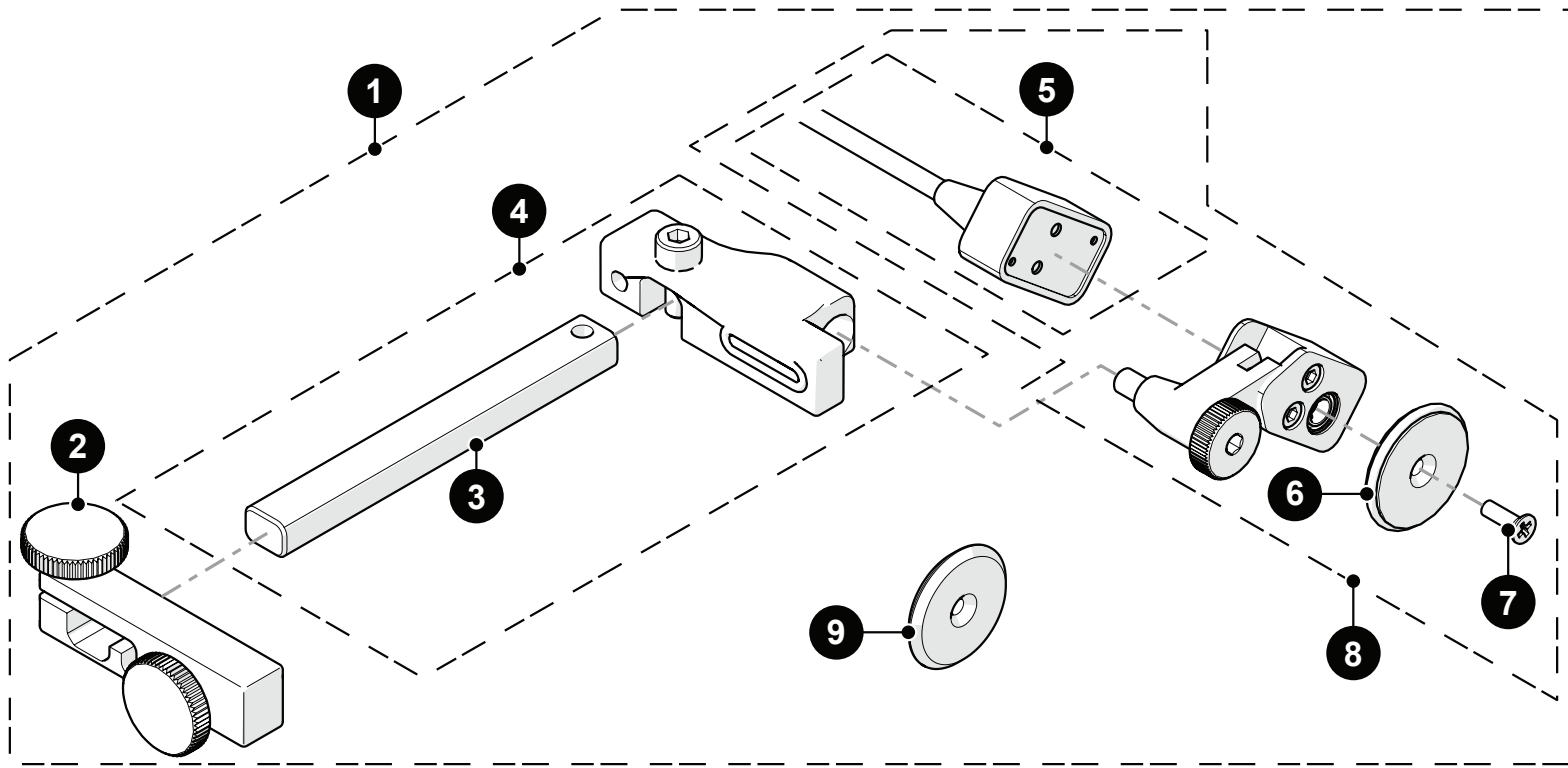


Spare Parts

ODI

CKG009



BOM ID	Part #	Description
1	CKA008-X-Y	Base ODI - Single Probe (see Encoder Connector Type) (alternate cable lengths)
2	CKS012	Adjustable Clamp Arm
3	CK0018	Clamp Arm, 70 mm (2.8 in) (alternate arm lengths available)
4	CKS020	ODI Encoder Mount, with Clamp Arm: 70 mm (2.8 in)
5	CKS007-X-Y	Encoder Brick Replacement (see Encoder Con. Type) (alternate cable lengths)
6	CKS016	Rubber Encoder Wheel
7	MD307-010	FHMS, M2.5x0.45 X 10mm SST PHILLIPS
8	CKS011-X-Y	ODI Spring-Loaded Encoder (see Encoder Con. Type) (alternate cable lengths)
9	CK0064	Heat Treated Stainless Steel Encoder Wheel

Encoder Connector Type

Connector Type	Company/Instrument	Connector Type	Company/Instrument
B	Olympus OmniScan MX Zetec Topaz	G	Sonotron Isonic 25xx
C	Olympus Focus LT Zetec Z-Scan Eddyfi Ectane 2	U	Sonatest Veo / Prisma
E	Olympus Omniscan SX, MX2, X3 M2M MANTIS/GEKKO LEMO	V	Pragma PAUT
F	TD (Technology Design)	AD	Sonatest Veo / Prisma - Single Axis

Edmonton Office: 780.922.4534
Houston Office: 832.564.0626
Rotterdam Office: +31 85 002 0801

Email: info@jireh.com
Web: jireh.com

