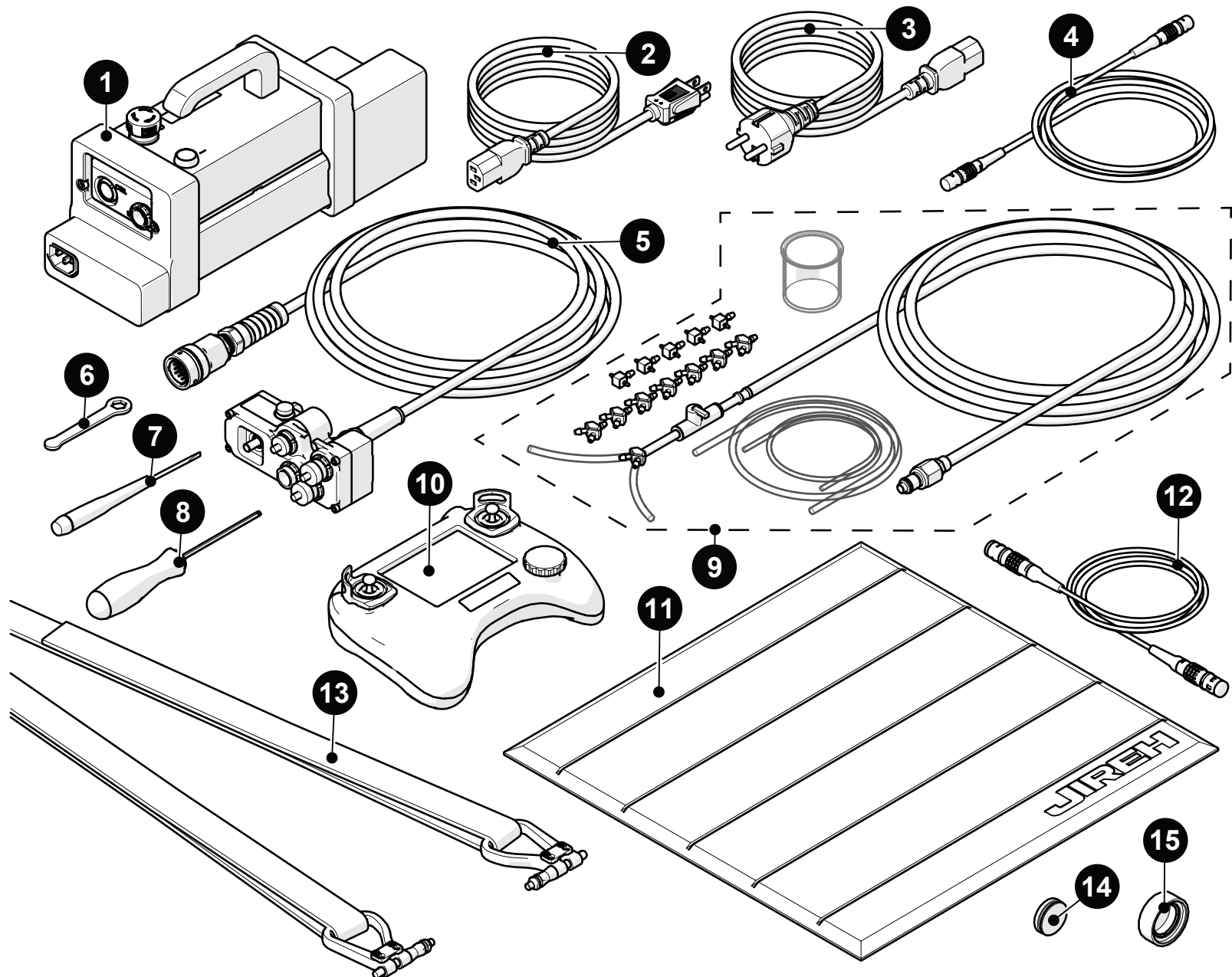


# Spare Parts

## NAVIC KIT

CXG023



BOM ID	Part #	Description
1	CXA019-X	Power Controller ( <i>Compatible with North American or European</i> )
2	SL039	Power Cord - North American
3	SL032	Power Cord - European
4	UMA017-06	Controller Cable
5	UMA030-X	Umbilical ( <i>Various sizes available</i> )
6	EA470	3/8 in. Wrench
7	EA480	3 mm Flat Driver
8	EA414	3 mm Hex Driver
9	CMG009	Irrigation Kit, 2-4 Probe, Large Tube ( <i>Various sizes available</i> )
10	CXA008	Handheld Controller
11	AAS061	Installation/Removal Mat
12	UMA025-X-05	Encoder Cable ( <i>see Encoder Cable Type</i> )
13	CXA009	Lifting Sling
14	CX0174	Cap
15	CXS066	Cap

# Spare Parts

## NAVIC KIT

### Encoder Connector Type

Connector Type	Company/Instrument	Connector Type	Company/Instrument
<b>B</b>	Olympus - OmniScan MX / Zetec - ZIRCON, TOPAZ	<b>G</b>	Sonotron - Isonic
<b>C</b>	Olympus - Focus LT / Zetec Z-Scan	<b>M</b>	GE - USM Vision
<b>D</b>	Olympus - OmniScan MX2, OmniScan SX	<b>U</b>	Sonatest - VEO, PRISMA
<b>F</b>	TD - Focus Scan, Handy Scan, Pocket Scan	<b>V</b>	Pragma PAUT 16/128, PragmaLite / Pragma UT400