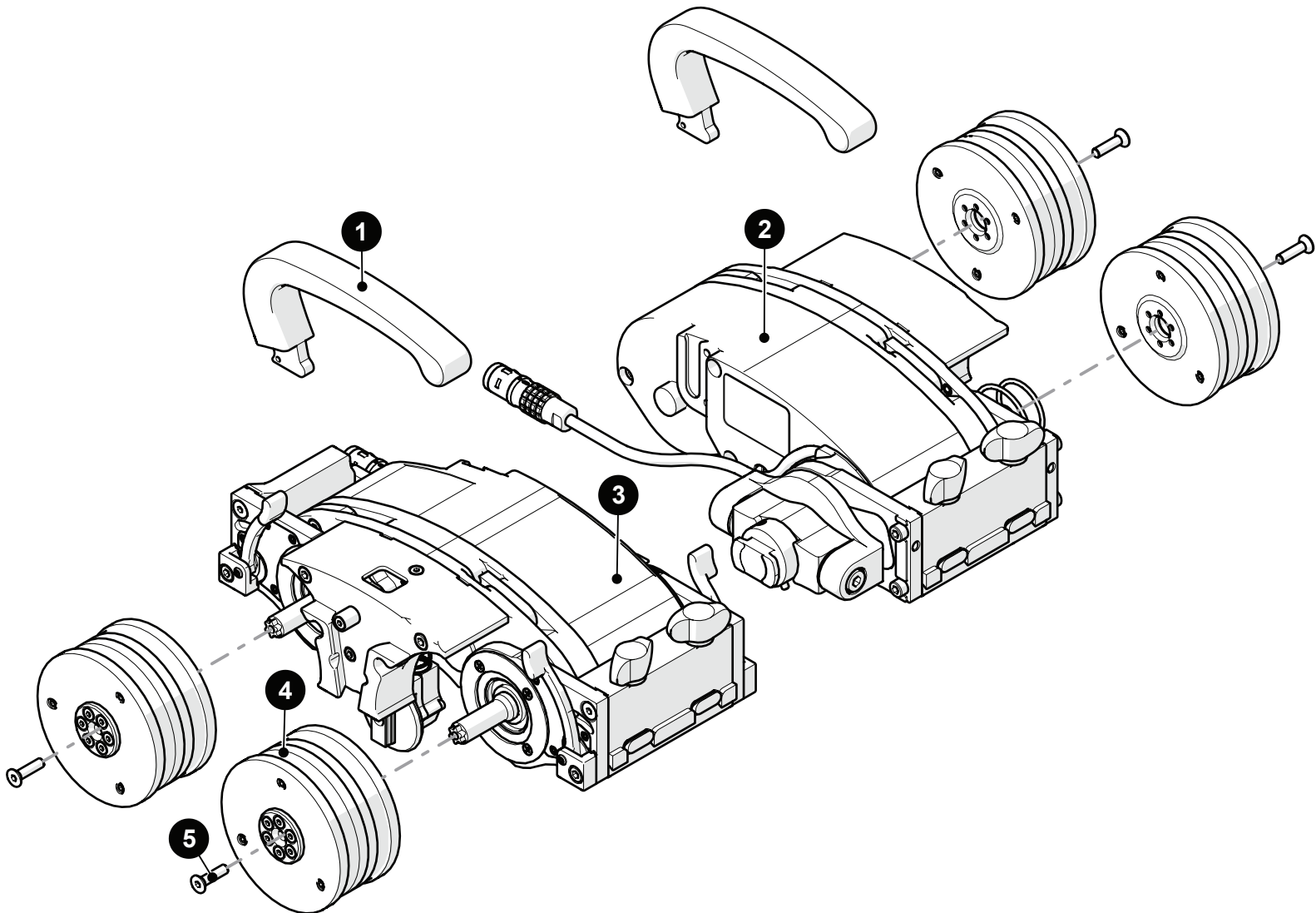


Spare Parts

NAVIC CRAWLER

CXG023



BOM ID	Part #	Description
1	CX0061	Handle
2	CXS100-L	Left Drive Module
3	CXS100-R	Right Drive Module

BOM ID	Part #	Description
4	CXS048	Magnetic Wheel
5	MD029-016	FHCS, M4 x 0.7 x 16 mm, SST