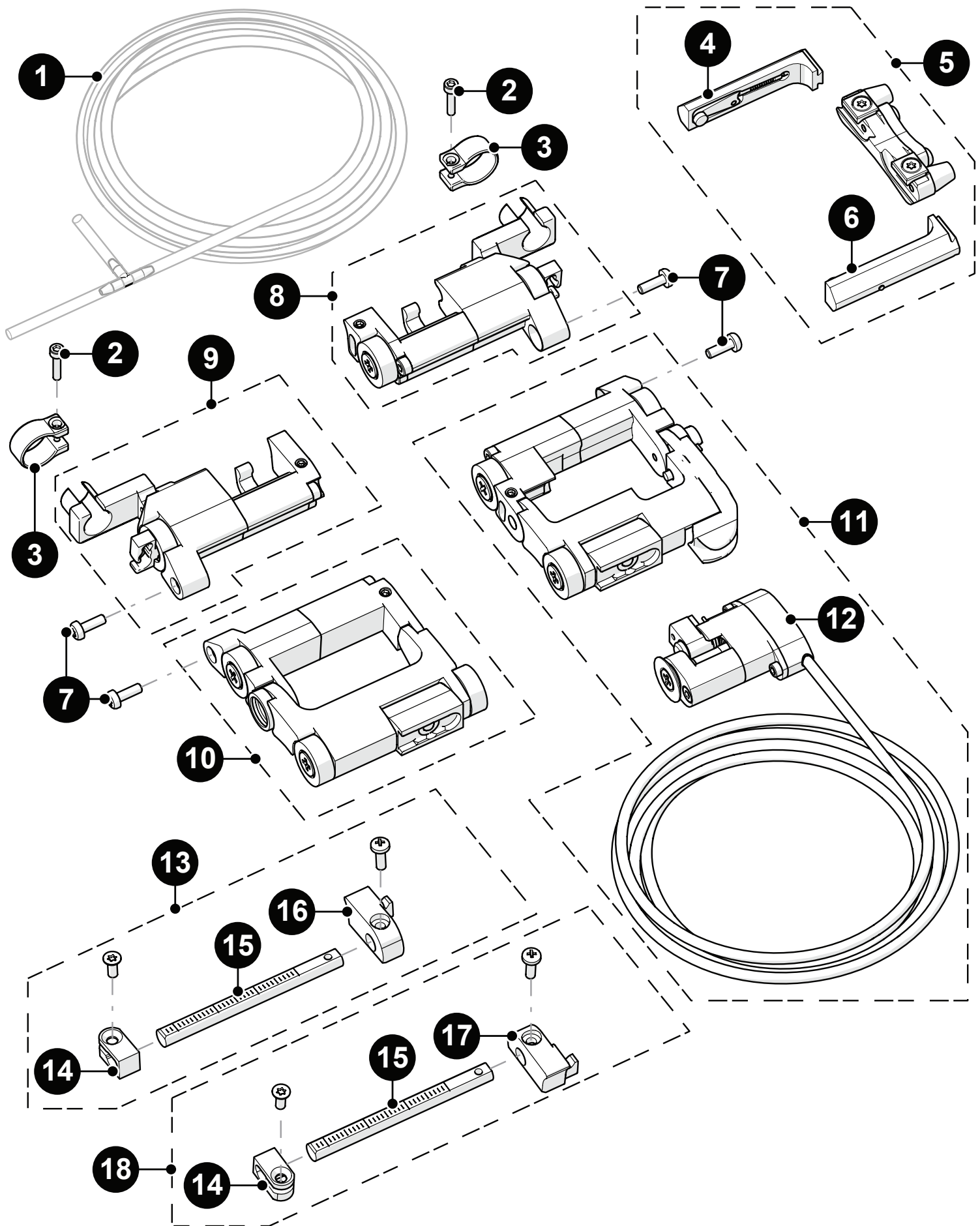


# Spare Parts

## CIRC-IT SCANNER

DJG001 | DJG007

JIREH.COM



# Spare Parts

## CIRC-IT SCANNER

DJG001 | DJG007

JIREH.COM

BOM ID	Part #	Description
1	DJS017	Irrigation tube
2	MD046-008	Sleeve clamp screw, SHCS, M1.6x0.35 X 8mm, SST
3	DJ0013	Sleeve clamp
4	DJS001-R	Probe holder arm, right
5	DJS002	Probe holder
6	DJS001-L	Probe holder arm, left
7	MA125	PHMS-TX, M2x6 ISO 14583 A2-SST TORX
8	DJS007	Primary swing arm, right
9	DJS0010	Secondary swing arm, left
10	DJS009	Encoderless link
11	DJS023-X	Encoded link (see Encoder Connector Type)
12	DJG004-X	CIRC-IT encoder (see Encoder Connector Type)
13	DJS011-R	Crossbar assembly, right
14	DJS027	Wedge separation indicator
15	DJ0034-X	Crossbar (see Crossbars)
16	DJS026-R	Crossbar clamp bracket, right
17	DJS026-L	Crossbar clamp bracket, left
18	DJS011-L	Crossbar assembly, left

### Encoder Connector Type

Connector Type	Company/Instrument	Connector Type	Company/Instrument
B	Olympus OmniScan MX Zetec Topaz	G	Sonotron Isonic 25xx
C	Olympus Focus LT Zetec Z-Scan Eddyfi Ectane 2	U	Sonatest Veo / Prisma
E	Olympus OmniScan SX/MX2/X3 M2M MANTIS/GEKKO LEMO	V	Pragma PAUT
F	TD ( <i>Technology Design</i> )	AD	Sonatest Veo / Prisma - Single Axis


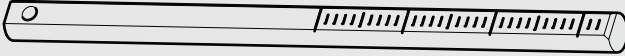

**NOTE:** Additional encoder connector types available. Contact JIREH for more information.

# Spare Parts

## CIRC-IT SCANNER

Crossbars

JIREH.COM

Part #	Length	
DJ0034-044	44 mm (1.7 in)	
DJ0034-069	69 mm (2.7 in)	
DJ0034-094	94 mm (3.7 in)	
DJ0034-119	119 mm (4.7 in)	