

5. When motorized couplant pump use is complete. Close the flow control valve (*rotate clockwise*) and turn the power switch to **OFF**.
6. Depressurize the system before transporting.
 - a. Ensure the pump is unplugged from a power source and the power switch is in the **OFF** position.
 - b. Disconnect the irrigation kit from the outlet
 - c. Disconnect the inlet hose (*Fig. 5-1*) and insert the inlet hose into the outlet (*Fig. 5-2*).
 - d. Open the flow control valve until all the pressure is released from the system.

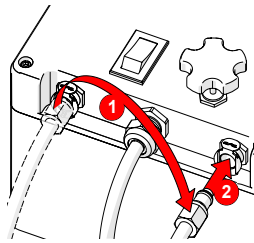


Fig. 5 - Pump Assembly

Chapter 5

MAINTENANCE AND SUPPORT

1. The motorized couplant pump should be serviced by qualified personnel only. Always disconnect power source before servicing.
2. For technical support contact Jireh Industries.

Chapter 6

TROUBLESHOOTING

Problem	Possible Cause	Solution
Pump does not discharge fluid	Flow control valve not opened, power switch not turned on, power source disconnected, inlet/outlet connections not attached, inlet filter not placed in fluid.	Ensure flow control valve is rotated. Counter-clockwise, power switch is turned on, power cord is plugged into a live source, inlet/outlet fittings are fully inserted, inlet filter is completely submersed in fluid reservoir.
Pump flow inconsistent	Hose kinked, hose split, inlet filter plugged.	Ensure hoses are not split or kinked, remove/replace inlet filter.

Chapter 7

SPARE PARTS

BOM ID	Part #	Description
1	CMS038	Inlet Filter
2	LA021	Inlet Hose
3	LA081	Quick Connect Fitting: 7/16 in
4	CMS037	Motorized Pump Inlet Tube

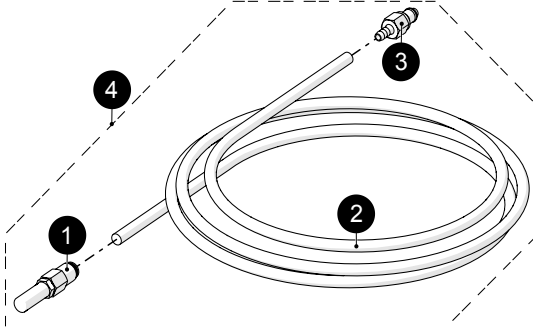


Fig. 6 - Inlet hose spare parts



Jireh Industries Ltd.

53158 Range Road 224
Ardrossan, Alberta
Canada
T8E 2K4

780.922.4534
jireh.com

MOTORIZED COUPLANT PUMP

CM0061 Rev 02.3



 JIREH

SAFETY WARNINGS / PRECAUTIONS

KEEP THIS MANUAL – DO NOT LOSE

THIS MANUAL IS PART OF THE **MOTORIZED COUPLANT PUMP** AND MUST BE RETAINED FOR THE LIFE OF THE PRODUCT. PASS ON TO SUBSEQUENT OWNERS.

Ensure any amendments are incorporated with this document.



CAUTION! The **MOTORIZED COUPLANT PUMP** is designed for a specific use. Using the **MOTORIZED COUPLANT PUMP** outside of its intended use could cause damage to the product. Read and understand this manual before using.

**CAUTION!**

- Do not freeze.
- Use proper PPE (*personal protective equipment, i.e. gloves and glasses*).
- Do not connect input to pressurized fluid source.
- Do not pump fluids hotter than 70° C (158° F).

**WARNING!**

- Use with GFCI (*ground fault circuit interrupter*) power source.
- Do not use in an explosive environment.
- Service by qualified personnel only.
- Do not use in a wet environment.
- Do not use with flammable liquid.



The WEEE symbol indicates that the product must not be disposed of as unsorted municipal waste, but should be collected separately.

SPECIFICATIONS

2.1. Intended Use

The motorized couplant pump's purpose is to pump couplant fluid (non-toxic and Non-flammable) from a reservoir to a scanner for ultrasonic inspection.

2.2. Specifications

Power Input:	100-277 VAC, 50/60 Hz, 1.5 Amps
Output:	414 kPa (60 psi), 3.4 L/min (0.89 GPM) maximum.
Part Number:	CMA015

2.3. Operating Environment

The motorized couplant pump is designed for use in an industrial environment that is between -20° C (-4° F) and 50° C (122° F).

The motorized couplant pump is designed for use in a dry, non-explosive environment.

PREPARATION FOR USE

3.1. Motorized Couplant Pump Component Identification

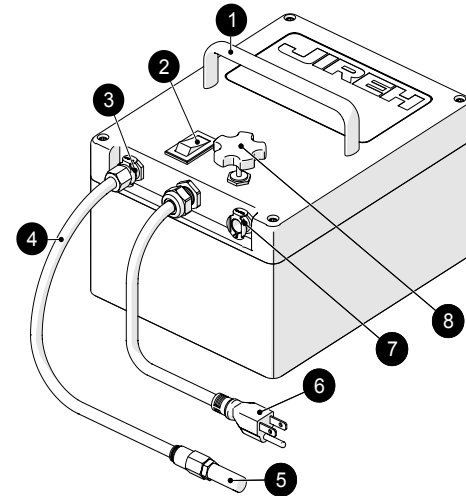


Fig. 1 - Pump Assembly

- 1 Handle
- 2 Power Switch
- 3 Inlet
- 4 Inlet Hose
- 5 Inlet Filter
- 6 Power Chord
- 7 Outlet
- 8 Flow Control Valve

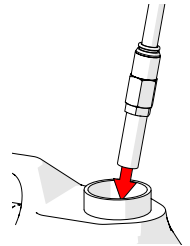


Fig. 2 - Inlet filter in couplant

3.2. Pump Setup

1. Ensure power switch is set to **OFF** (Fig. 1-2).
2. Place inlet filter (Fig. 1-5) into a reservoir of non-toxic, non-flammable couplant (Fig. 2). Ensure opposite end of inlet hose is connected to motorized pump's inlet connection (Fig. 1-3).
3. Connect the irrigation kit (sold separately) to the outlet (Fig. 3).
4. Plug the power cord into a GFCI (*ground fault circuit interrupter*) protected power source.

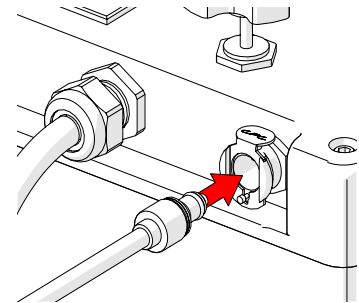


Fig. 3 - Connect irrigation kit to outlet

OPERATION

1. Ensure the flow control valve (Fig. 1-8) is rotated clockwise preventing unwanted couplant discharge upon unit activation.
2. Turn the power switch to **ON** (Fig. 1-8).
3. Open the flow control valve (*rotate counter-clockwise*) until desired flow is achieved (Fig. 4).
4. Close the flow control valve (*rotate clockwise*) to stop the flow of fluid.

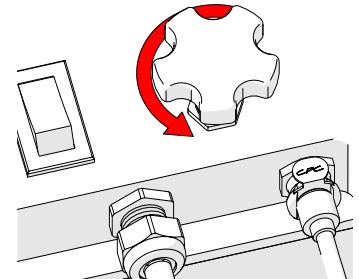


Fig. 4 - Control couplant with flow control valve