

PIPE OD RANGE				LINKS	
MIN (in)	MAX (in)	MIN (mm)	MAX (mm)	SHORT*	LONG
3.6	3.9	91	99	2	0
4.0	4.9	102	124	3	0
5.0	5.9	127	150	4	0
6.0	6.8	152	173	5	0
6.9	7.7	175	196	6	0
7.8	8.6	198	218	7	0
8.7	9.5	221	241	8	0
9.5	10.4	241	264	9	0
10.6	11.4	269	290	7	1
11.4	12.2	290	310	8	1
12.2	13.0	310	330	9	1
13.3	14.1	338	358	1	4
14.1	14.7	358	373	2	4
14.9	15.7	378	399	3	4
15.8	16.6	401	422	1	5
16.5	17.1	419	434	2	5
17.3	18.1	439	460	3	5
18.2	19.0	462	483	1	6
18.9	19.5	480	495	2	6
19.7	20.5	500	521	3	6
20.4	21.3	518	541	4	6
21.2	22.1	538	561	5	6
22.0	22.9	559	582	6	6
22.8	23.6	579	599	7	6
23.6	24.4	599	620	8	6
24.3	25.2	617	640	9	6
26.1	26.7	663	678	2	9
26.8	27.7	681	704	3	9
27.7	28.5	704	724	1	10
28.4	29.1	721	739	2	10
29.2	30.0	742	762	3	10
30.1	30.9	765	785	1	11
30.8	31.5	782	800	2	11
31.6	32.4	803	823	3	11
32.4	33.3	823	846	1	12
33.2	33.9	843	861	2	12
34.0	34.9	864	886	3	12
34.7	35.6	881	904	4	12
35.5	36.4	902	925	5	12
36.3	37.2	922	945	6	12
37.1	38.0	942	965	7	12
37.9	38.8	963	986	8	12
38.7	39.5	983	1003	9	12

Max of 4 - 12 Kit

Max of 4 - 24 Kit

Max of 4 - 38 Kit

*Short includes: Short Link, Dovetail Link, Red Catch Link

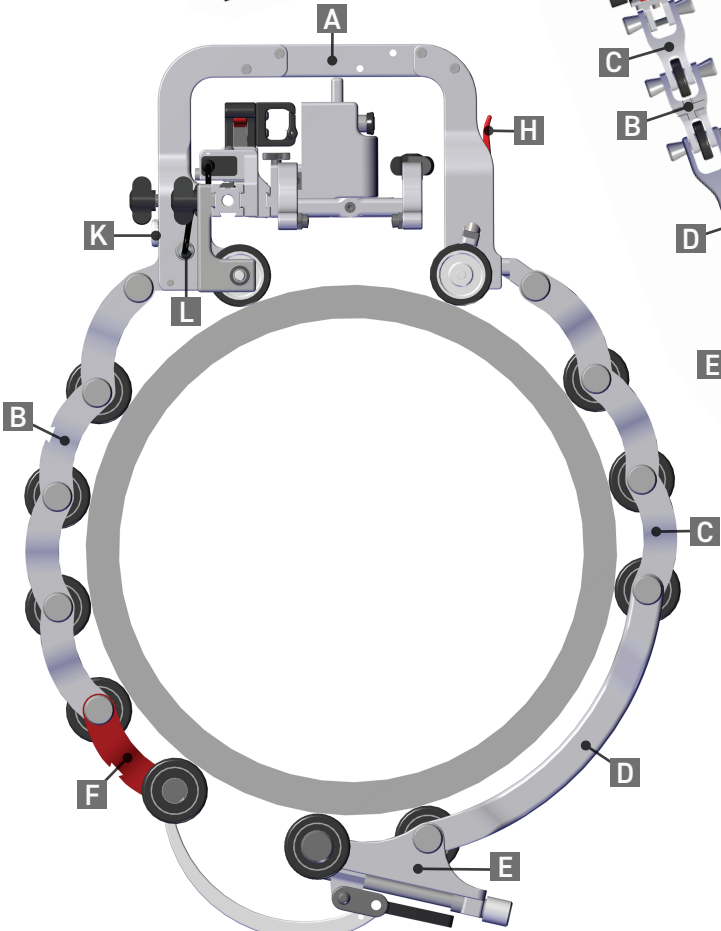
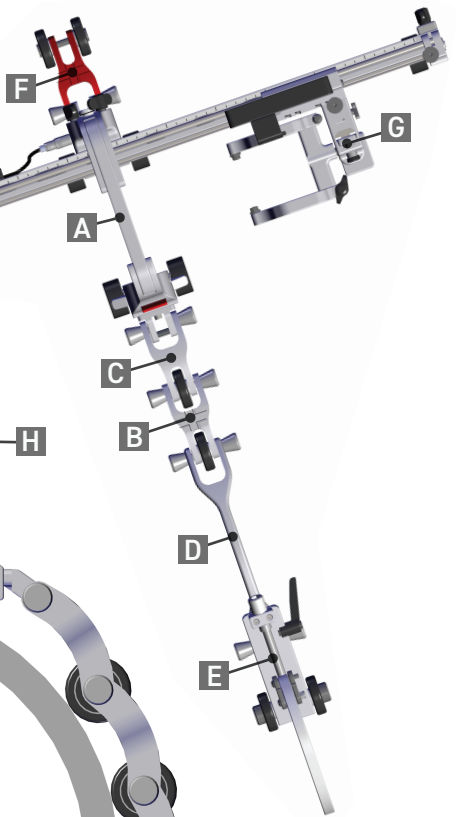
CORROSION CHAIN SCANNER: Key Parts

A Corrosion Link

B Dovetail Link

C Short Link

D Long Link



E Buckle

F Catch Link

G Heavy Duty Probe Holder

H Brake

I Index Encoder

J Leadscrew

K Encoder Connection

L Index Encoder Connection