

ODI

J JIREH





Single probe ODI includes a stainless steel wheel for use with gel couplants.

SINGLE PROBE FEATURES

Quick Adjust Clamp

- Easily affix any probe/wedge to the ODI (no tools required).¹

Condensed Scan Size

- It is helpful during limited access inspection as the small size allows unique scanning opportunities.

Encoder

- Precise encoded output is compatible with all standard instruments.

Alternate Encoder Positions

- Position the encoder at 0° or 90° to accommodate different clamping arrangements. The spring-loaded wheel ensures positive contact with the inspection surface.

Probe/Wedge Comparability

- The ODI functions well with nearly all probes and wedges of all shapes and sizes.



Two probe ODI

DUAL PROBE FEATURES

Two Probes

- Accommodates two TOFD probes to conduct weld scans. The ODI II may also perform single probe scans when required.

Ease of Use

- Simple probe/wedge attachment with no tools required

Versatile

- The handheld operation allows for unique scanning opportunities. Limited access inspection is possible due to the device's small size and maneuverability.

Encoder

- The precision mini encoder can be placed along the frame bar while the spring action maintains constant encoder wheel contact.

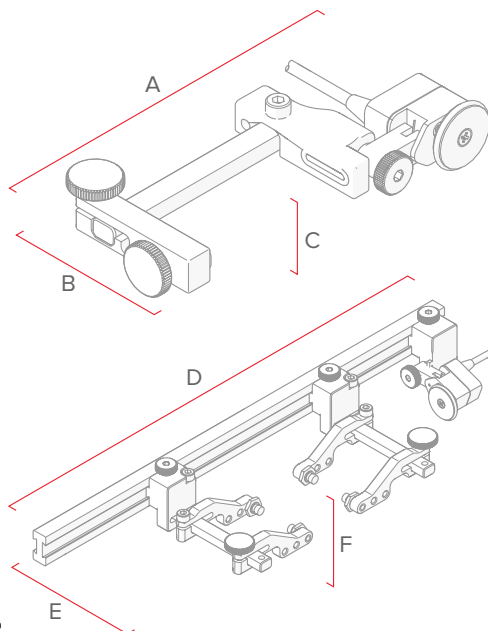
WEIGHT AND DIMENSIONS

ODI Weight

- Single Probe: 0.2 kg (0.4 lb)²
- Dual Probe: 0.45 kg (1 lb)²

ODI Dimensions

- A Length: 11.9 cm (4.7 in)
- B Depth: 2.4 cm (0.9 in)
- C Height: 5.3 cm (2.1 in)
- D Length: 30 cm (11.8 in)
- E Depth: 8.7 cm (3.4 in)
- F Height: 4.3 cm (1.7 in)



SPECIFICATIONS

Maximum Clamp Width

- Single Probe: 55 mm (2.16 in)⁴
- Dual Probe: 45 mm (1.76 in)⁴

Encoder Wheel Diameter

- 20.37 mm (0.80 in)

Encoder Resolution

- 16.00 counts/mm (406.4 counts/inch)

Encoder Cable Length

- Single Probe: 2.5 m (8 ft)⁵
- Dual Probe: 5 m (16.4 ft)⁵

Inspection Surface

- Ferrous and non-ferrous

Single probe ODI with phased array wedge



Single probe ODI with optional magnetic wheel.

ENVIRONMENTAL SPECIFICATIONS

Operating Environment

- 20° C (-4° F) to 50° C (122° F)

Environmental Sealing

- Watertight (submersible)⁶



Dual probe ODI with TOFD probes mounted

- Advanced adjustment may require included tools.
- Measurement subject to encoder connector.
- Various lengths of clamp arms are available.
- Custom encoder cable lengths are available.
- Contact JIREH for details.
- Technical specifications are subject to change.

