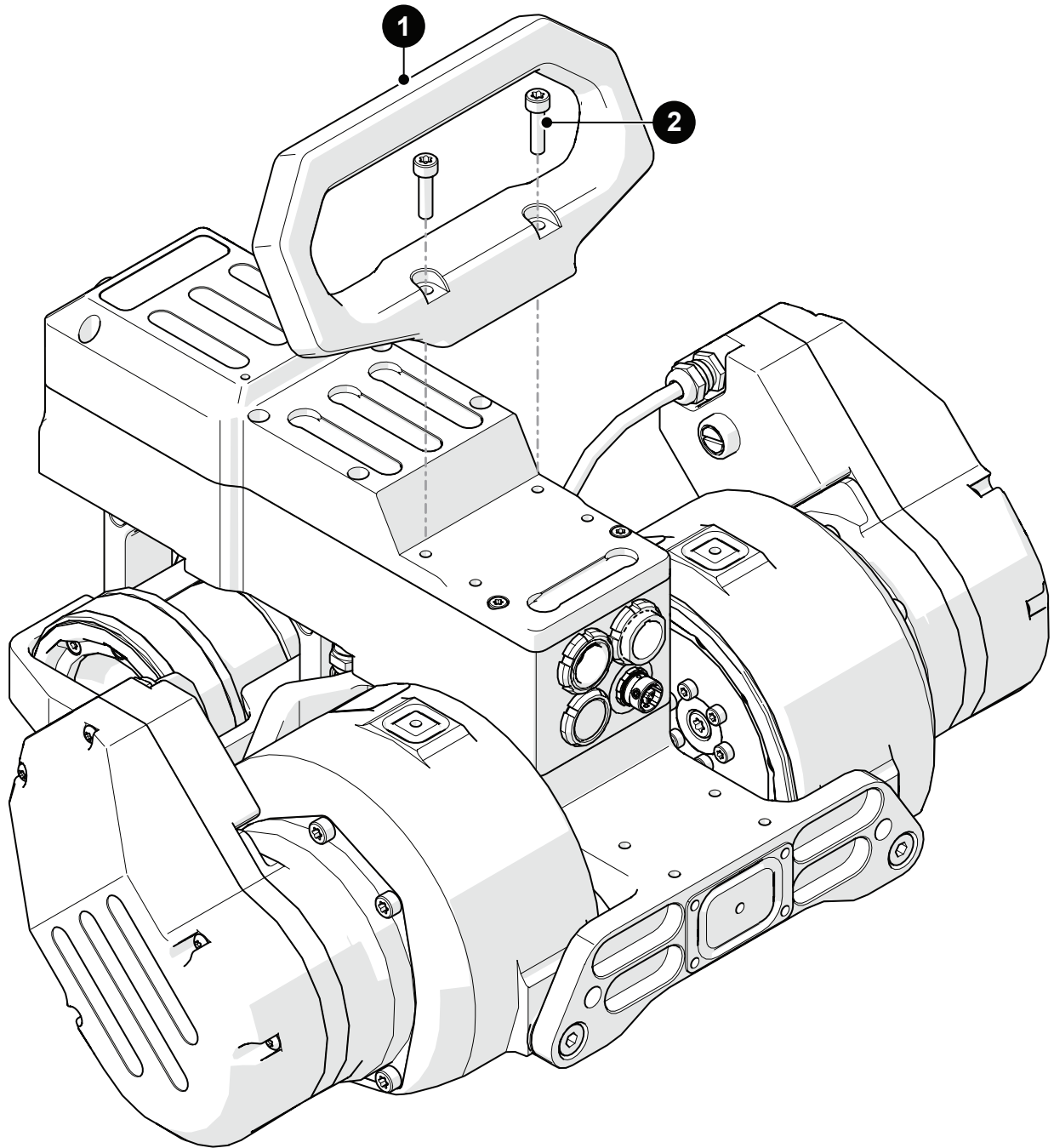


Spare Parts

■ TRIPOD

DYG001-

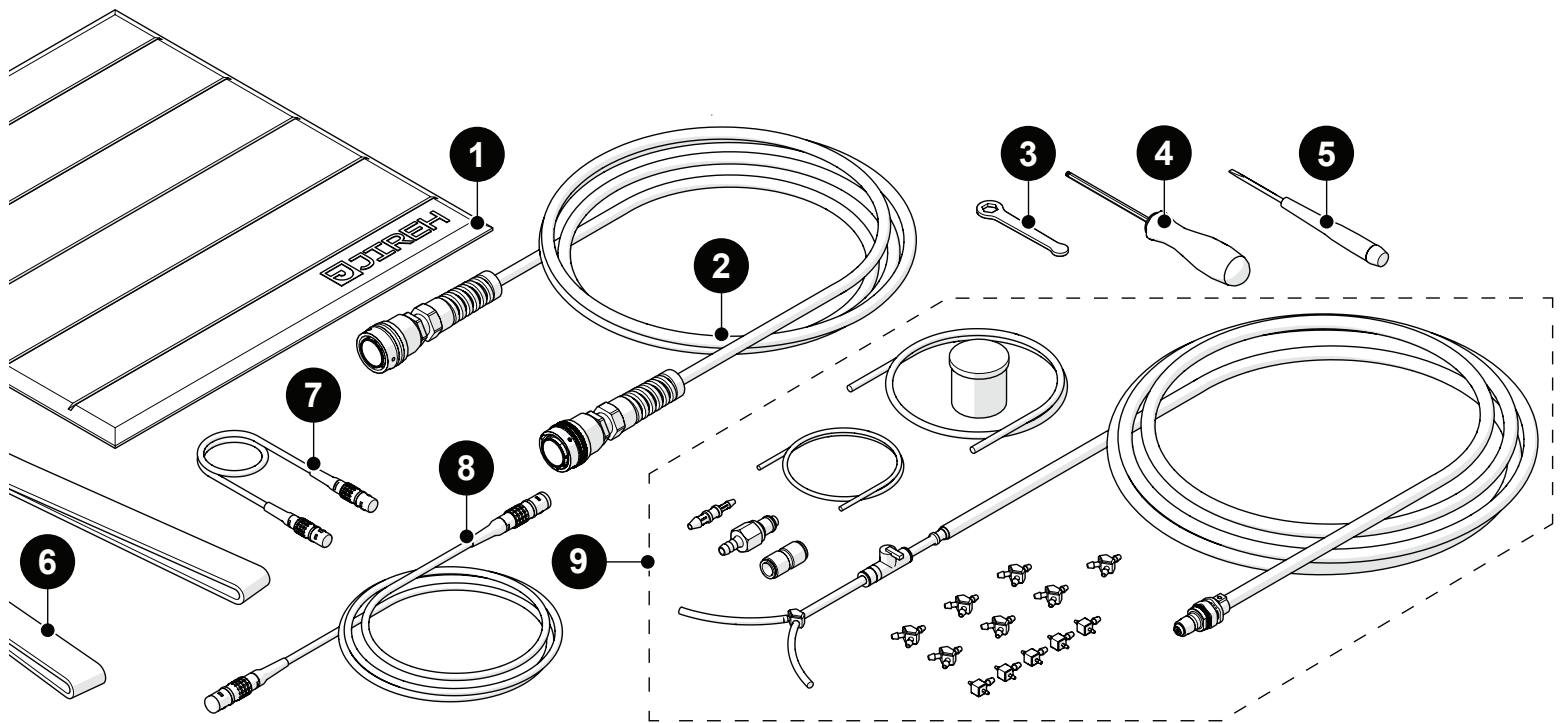


BOM ID	Part #	Description
1	DY0080	TRIPOD handle
2	MD425-016	SHCS-TX M4X0.7 X 16MM, SST

Spare Parts

■ TRIPOD

DYG001-

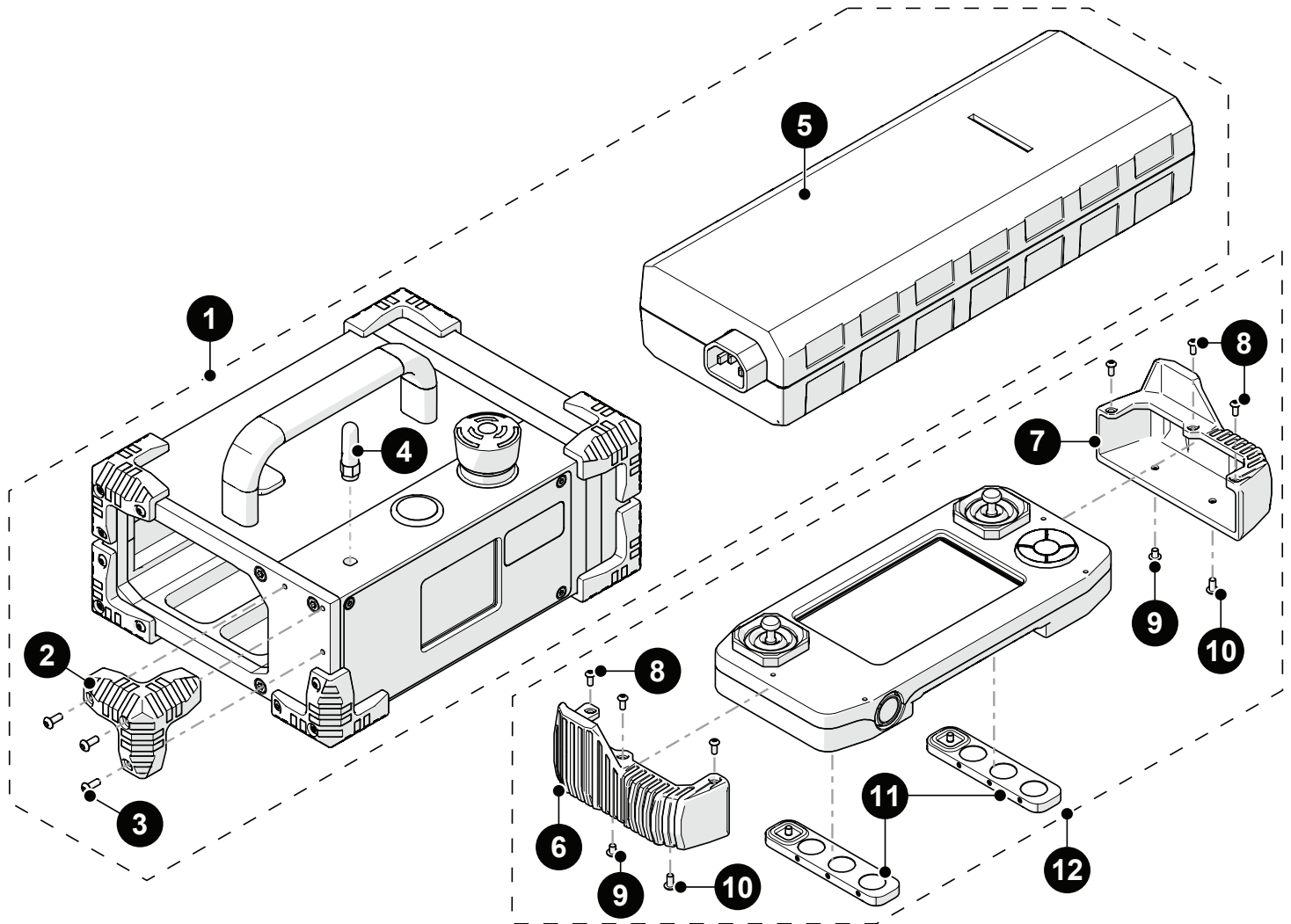


BOM ID	Part #	Description
1	AAS061	Installation/removal mat
2	UMA044-__	Umbilical (<i>various lengths available</i>)
3	EA470	10 mm (<i>3/8 in</i>) wrench
4	EA414	3 mm (<i>0.118 in</i>) hex driver
5	EA480	3 mm (<i>0.118 in</i>) flat driver
6	EA243	Lifting sling
7	UMA017-06	Auxiliary cable, 6 m (<i>19.6 ft</i>)
8	UMA025-__	J300 Encoder cable (<i>see Encoder Connector Type</i>)
9	CMG009-__	Irrigation kit, 2-4 probe, large tube (<i>various lengths available</i>)

Spare Parts

■ **TRIPOD**

DYG001-



BOM ID	Part #	Description
1	ERA001- <u> </u>	System controller <i>(see Power Cord Type)</i>
2	DY0011	Rubber bumper
3	MD411-008	BHCS-TX, M3x0.5 X 8mm ISO 7380-1 A2
4	SU004	Bluetooth antenna
5	CXS122	Power supply
6	DM0088-L	Handheld controller bumper <i>(left)</i>
7	DM0088-R	Handheld controller bumper <i>(right)</i>
8	MD409-006	BHCS-TX, M2.5x0.5 X 6mm ISO 7380-1 A2
9	MD411-004	BHCS-TX, M3x0.5 X 4mm ISO 7380-1 A2
10	MD411-006	BHCS-TX, M3x0.5 X 6mm ISO 7380-1 A2
11	DMS005	Handheld controller magnet holder
12	DMA006	Handheld controller

Spare Parts

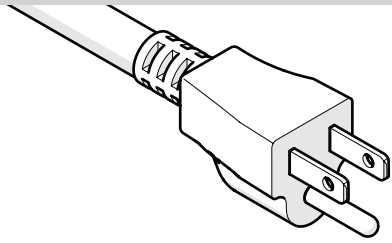
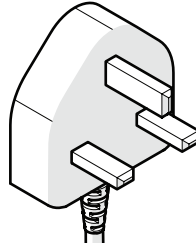
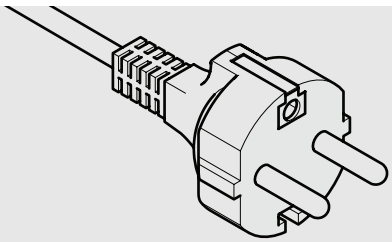
■ TRIPOD

Encoder Connector Type

Connector Type	Company/Instrument	Connector Type	Company/Instrument
B	Olympus OmniScan MX Zetec Topaz	G	Sonotron Isonic 25xx
C	Olympus Focus LT Zetec Z-Scan Eddyfi Ectane 2	U	Sonatest Veo / Prisma
E	Olympus OmniScan SX/MX2/X3 M2M MANTIS/GEKKO LEMO	V	Pragma PAUT
F	TD (<i>Technology Design</i>)	AD	Sonatest Veo / Prisma - Single Axis

NOTE: Additional encoder connector types available. Contact JIREH for more information.

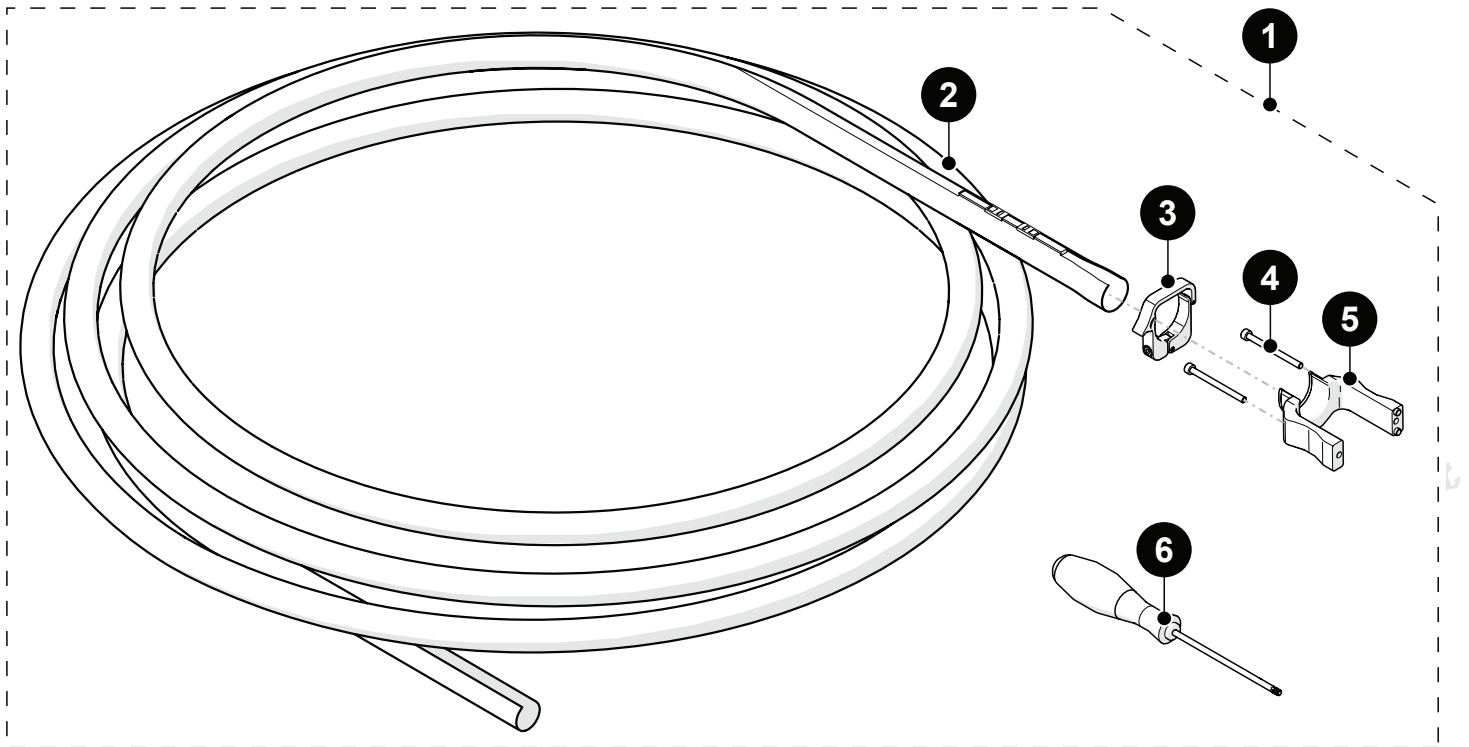
Power Cord Type

Connector Type	Power Cord	Connector Type/ Part #	Power Cord
N SL032	North American 	U SL059	United Kingdom 
E SL039	European 	Z	No Cord

Spare Parts

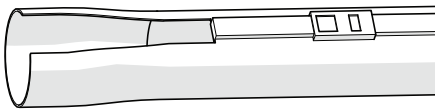
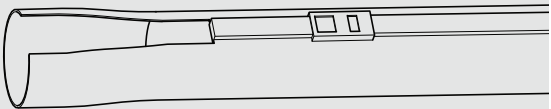
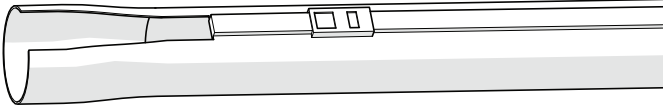
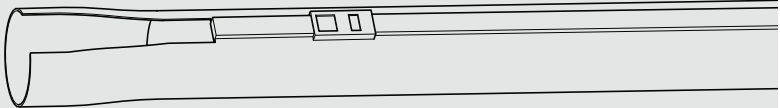
■ TRIPOD

Cable Management



BOM ID	Part #	Description
1	DYG002-	Cable management, TRIPOD
2		see <i>Cable Management Slewing</i>
3	DYS017	Cable management clamp, large
4	MD425-050	SHCS-TX, M4x0.7 X 50mm, SST
5	DY0088	Cable management mount, TRIPOD
6	EA533	T20 Torx driver

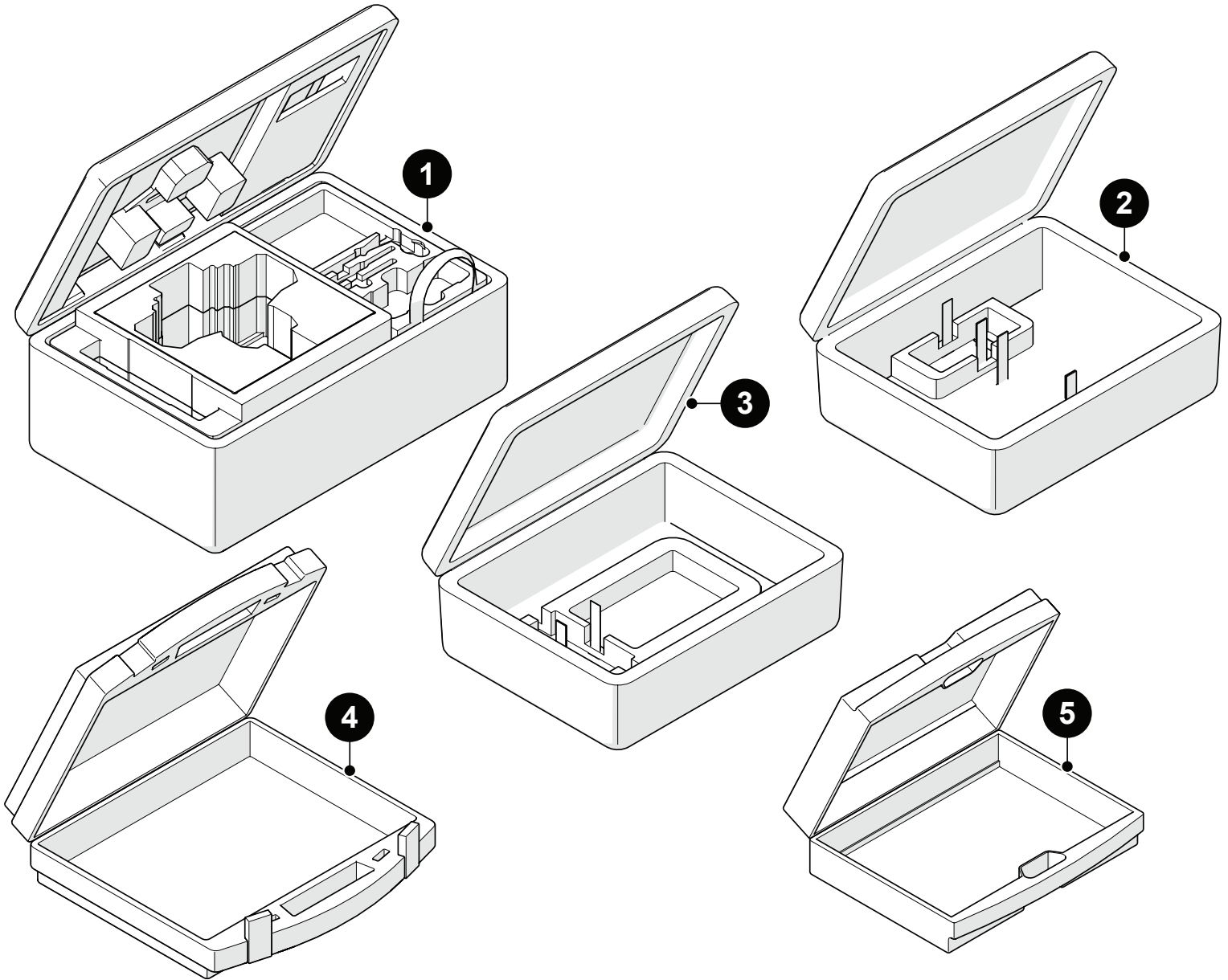
Cable Management Slewing

Length	Part #	Description	
04.5	CX0141	4.5 m (14.8 ft)	
09.5	CX0145	9.5 m (31.2 ft)	
14.5	CX0146	14.5 m (47.6 ft)	
29.5	CX0147	29.5 m (96.8 ft)	

Spare Parts

■ TRIPOD

Cases



BOM ID	Part #	Description
1	DYA007	TRIPOD Crawler Case
2	CXA023	Umbilical / Probe Holder Frame Case
3	CMA021	Pump Case
4	EA610	Umbilical Case (<i>large</i>)
5	EA421	Umbilical Case