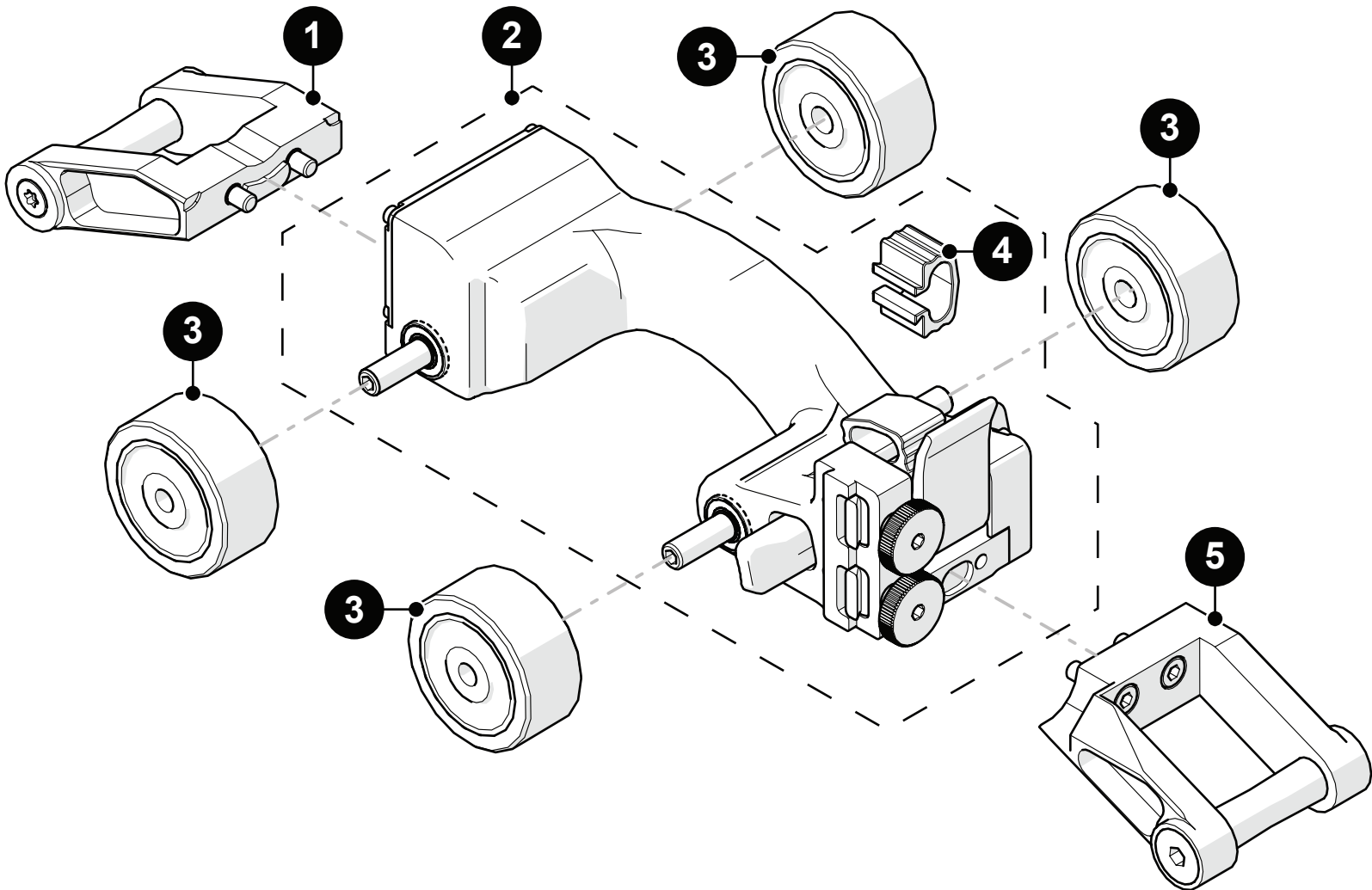


Spare Parts

■ ROTIX

CEG047-, CEG048-, CEG051-

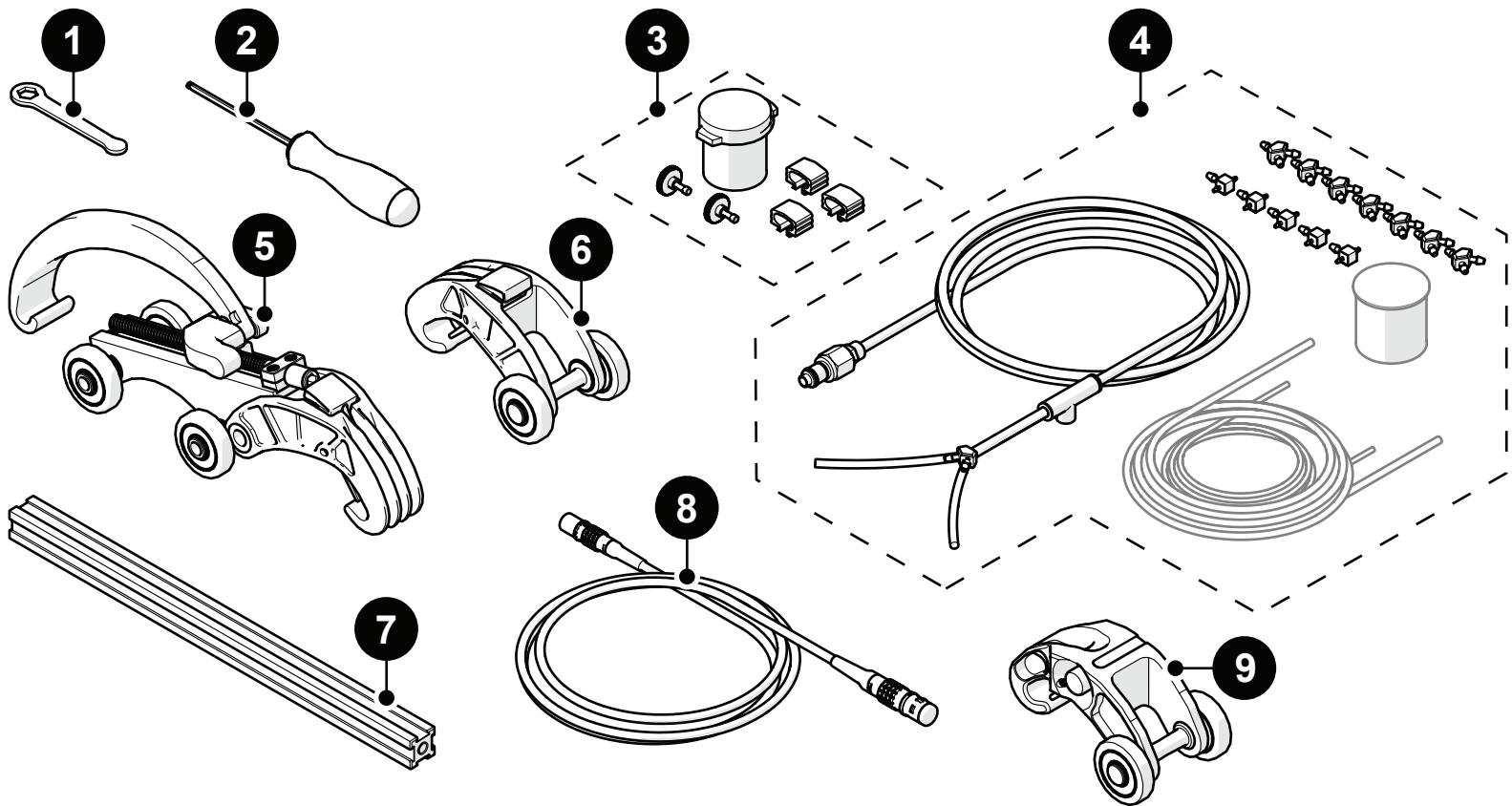


Part #	BOM ID	Description
1	CES099	Low profile QuickLink tail
2	CES084	Low Profile Link Subassembly
3	CES012	Non-magnetic wheel
4	BG0091	Cable clip
5	CES098	Low profile QuickLink nose

Spare Parts

■ ROTIX

CEG047-, CEG048-, CEG051-

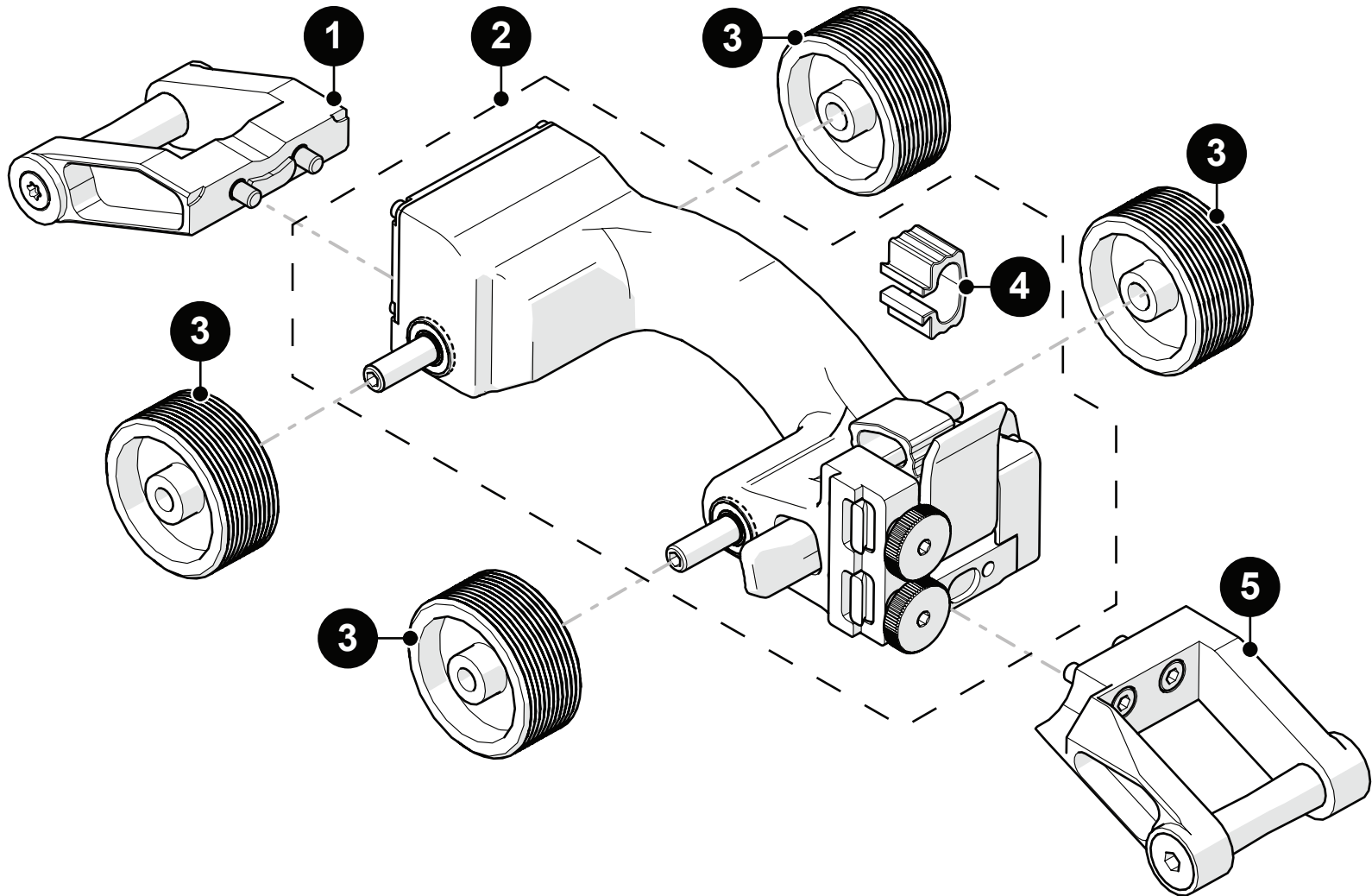


Part #	BOM ID	Description
1	EA470	10 mm (3/8 in) wrench
2	EA414	Hex driver, 3 mm (0.118 in)
3	CEG039	ROTIX - Nozzle spare parts kit
4	CMG007	Irrigation kit, 2-4 probe
5	CES108	High temperature QuickLink buckle
6	CES109	High temperature Dovetail QuickLink
7	BG0090-	Frame bar with ruler, 30 cm
8	UMA036-	J400 encoder cable, 5 m (16.4 ft) (see Encoder Connector Type)

Spare Parts

■ ROTIX

High Temperature Parts

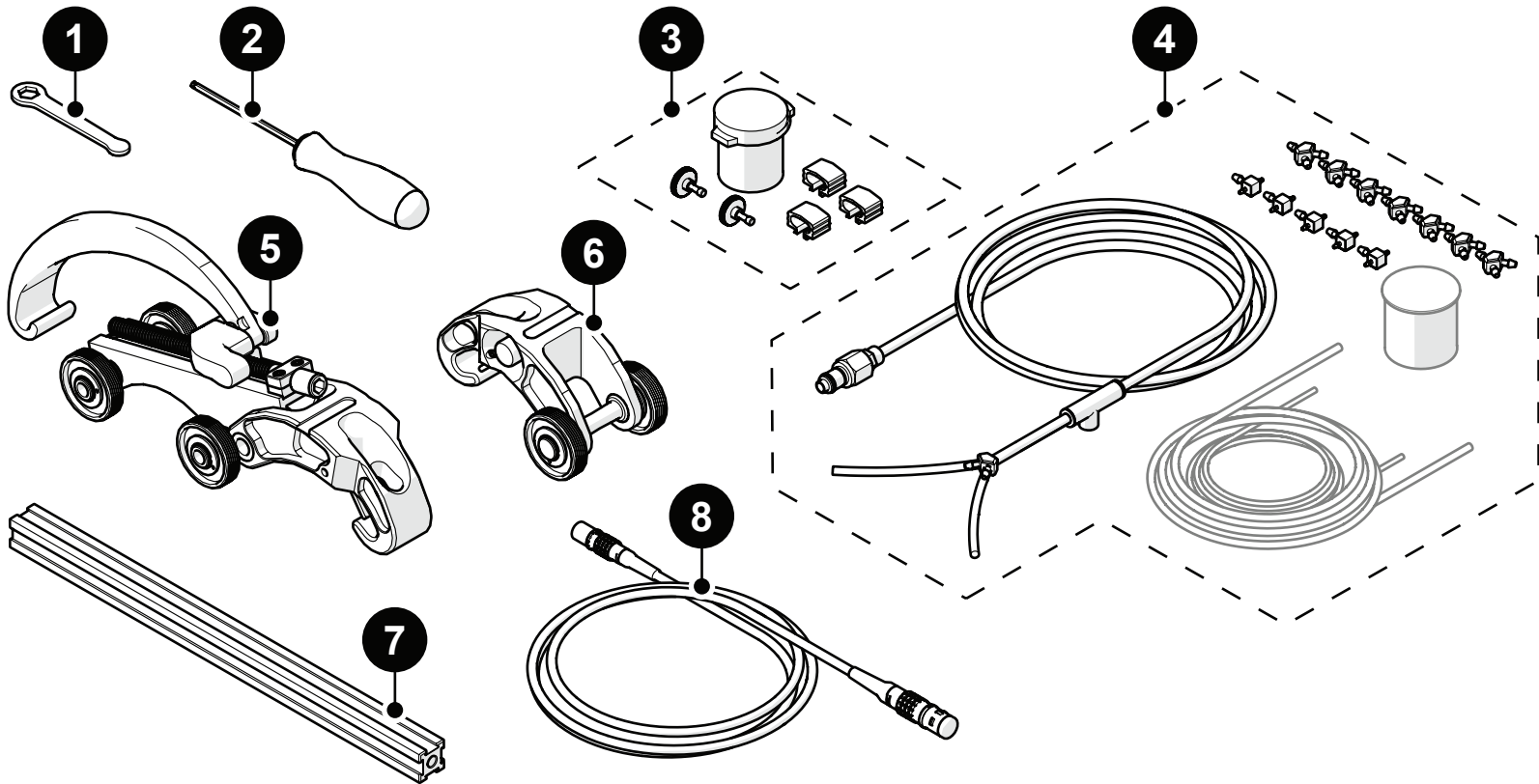


Part #	BOM ID	Description
1	CES099	Low profile QuickLink tail
2	CES084	Low Profile Link Subassembly
3	CE0143	High temperature wheel
4	BG0091	Cable clip
5	CES098	Low profile QuickLink nose

Spare Parts



High Temperature Parts



Part #	BOM ID	Description
1	EA470	10 mm (3/8 in) wrench
2	EA414	Hex driver, 3 mm (0.118 in)
3	CEG039	ROTIX - Nozzle spare parts kit
4	CMG007	Irrigation kit, 2-4 probe
5	CES108	High temperature QuickLink buckle
6	CES109	High temperature Dovetail QuickLink
7	BG0090-	Frame bar with ruler, 30 cm
8	UMA036-	J400 encoder cable, 5 m (16.4 ft) (see Encoder Connector Type)

Encoder Connector Type

Connector Type	Company/Instrument	Connector Type	Company/Instrument
B	Olympus OmniScan MX Zetec Topaz	G	Sonotron Isonic 25xx
C	Olympus Focus LT Zetec Z-Scan Eddyfi Ectane 2	U	Sonatest Veo / Prisma
E	Olympus OmniScan SX/MX2/X3 M2M MANTIS/GEKKO LEMO	V	Pragma PAUT
F	TD (<i>Technology Design</i>)	AD	Sonatest Veo / Prisma - Single Axis

NOTE: Additional encoder connector types available. Contact JIREH for more information.