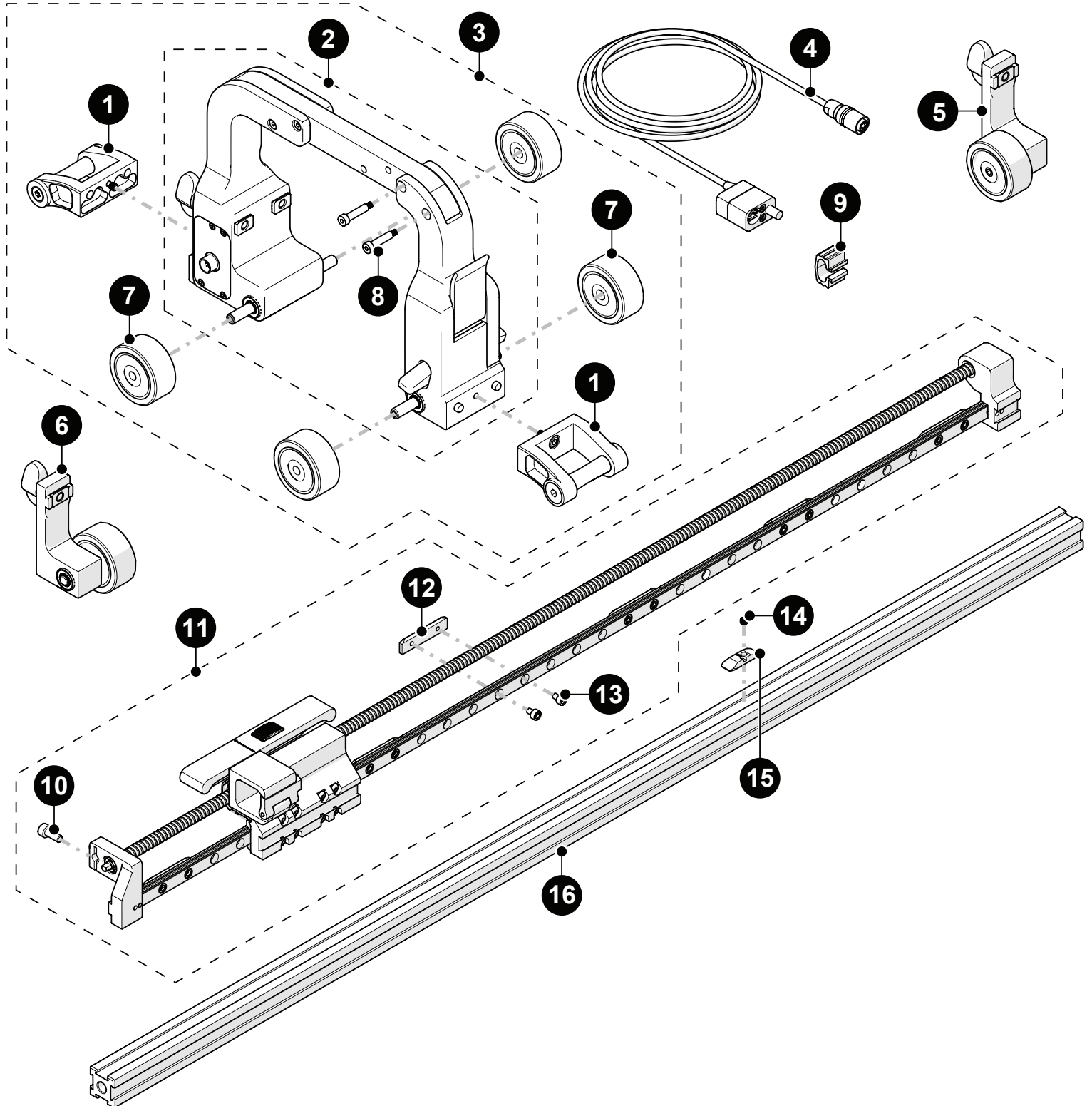


# Spare Parts

■ ROTIX

CEG049-



Part #	BOM ID	Description
1	CES095	QuickLink tail
2	CES097-B	Corrosion link: normal
3	CEA043-B	Corrosion link with wheels: normal
4	DKS009-S-0.4	PPS encoder
5	CES053-L	Corrosion scanner stabilizer (left)
6	CES053-R	Corrosion scanner stabilizer (right)
7	CES012	Non-Magnetic wheel

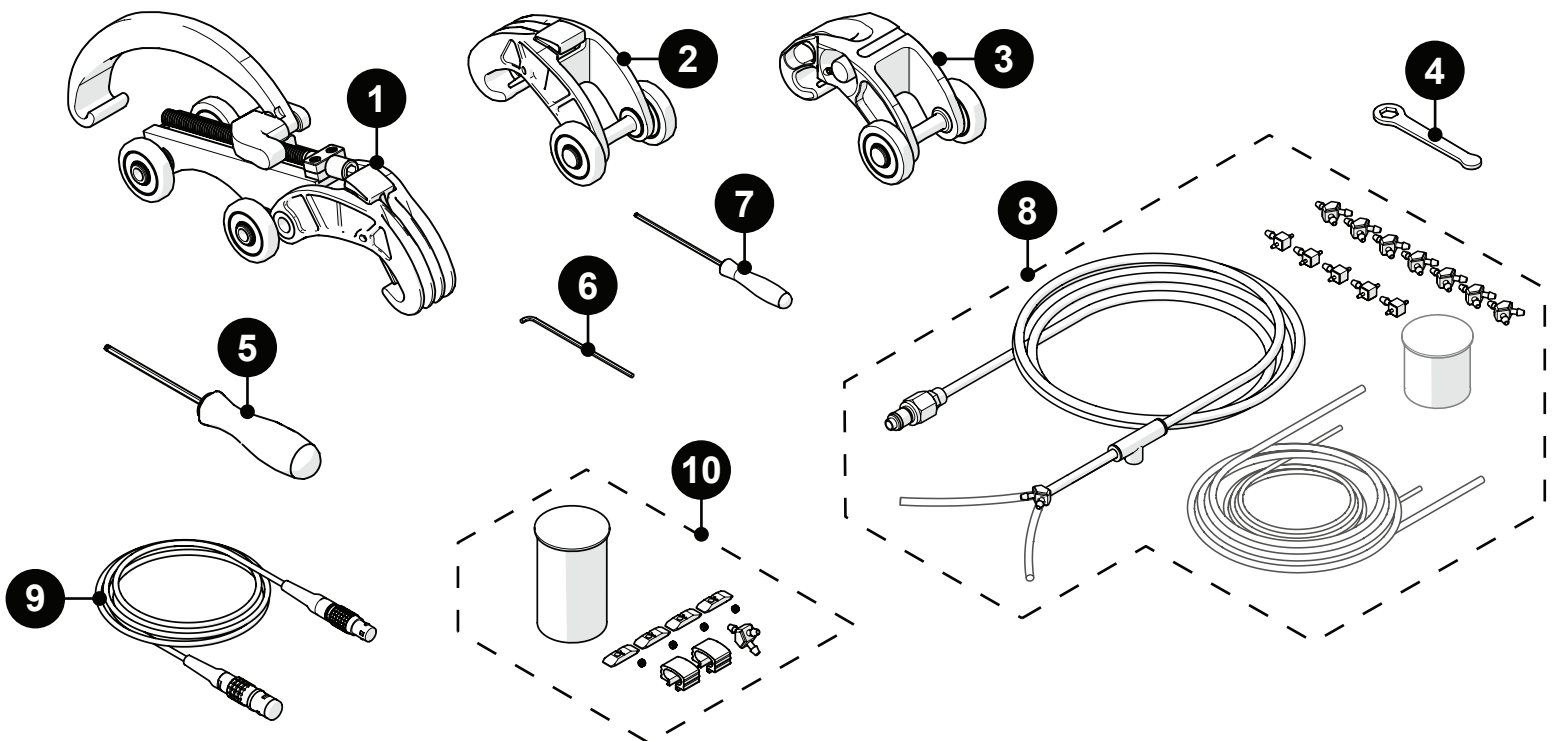
# Spare Parts

■ ROTIX

CEG049-

8	MA252	SHSB, M3 x 0.5 x 4 mm, Ø 4 mm x 16 mm, SST
9	BG0091	Cable clip
10	MD050-010	SHCS, M4x0.7 X 10 mm, SST
11	DKS010-__	Corrosion slider
12	DK0020	Dovetail nut
13	DK0019	SHCS, M3 x 0.5 x 4.5 mm, 3 mm hex, SST
14	MA254	SHSS, M4 x 0.7 x 3 mm, flat point, SST
15	CE0116	Index nut
16	BG0090-75	Frame bar with ruler, 75 cm

## Kit Components



Part #	BOM ID	Description
1	EES014	QuickLink Buckle
2	EES004	QuickLink
3	EES019	Dovetail QuickLink
4	EA470	10 mm (3/8 in) wrench
5	EA414	Hex driver, 3 mm (0.118 in)
6	CE0137	Short 2 mm Hex Wrench
7	EA476	Hex Driver: 2 mm (0.078 in)
8	CMG007	Irrigation kit, 2-4 probe
9	UMA026-__-05	J100 Encoder cable (see Encoder Connector Type)
10	CEG029	Corrosion Scanner Spare Parts Kit

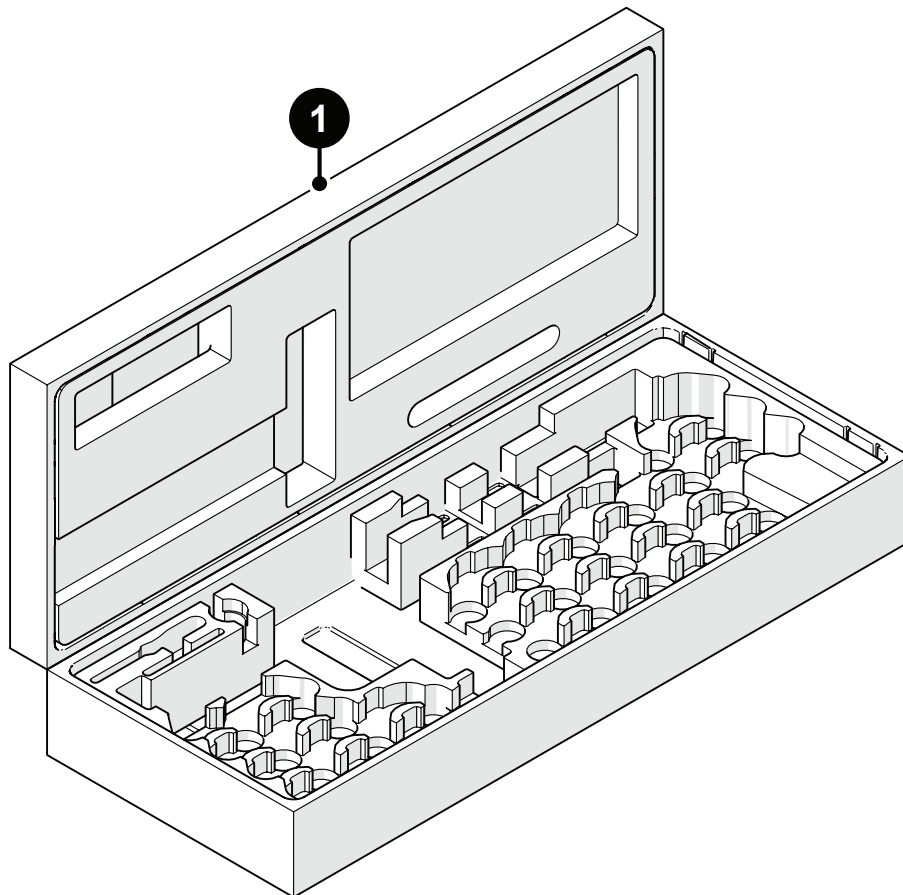
## ■ ROTIX

### Encoder Connector Type

Connector Type	Company/Instrument	Connector Type	Company/Instrument
B	Olympus OmniScan MX Zetec Topaz	G	Sonotron Isonic 25xx
C	Olympus Focus LT Zetec Z-Scan Eddyfi Ectane 2	U	Sonatest Veo / Prisma
E	Olympus OmniScan SX/MX2/X3 M2M MANTIS/GEKKO LEMO	V	Pragma PAUT
F	TD ( <i>Technology Design</i> )	AD	Sonatest Veo / Prisma - Single Axis

**NOTE:** Additional encoder connector types available. Contact JIREH for more information.

### Kit Components



Part #	BOM ID	Description
1	CEA046	ROTIX Corrosion Case