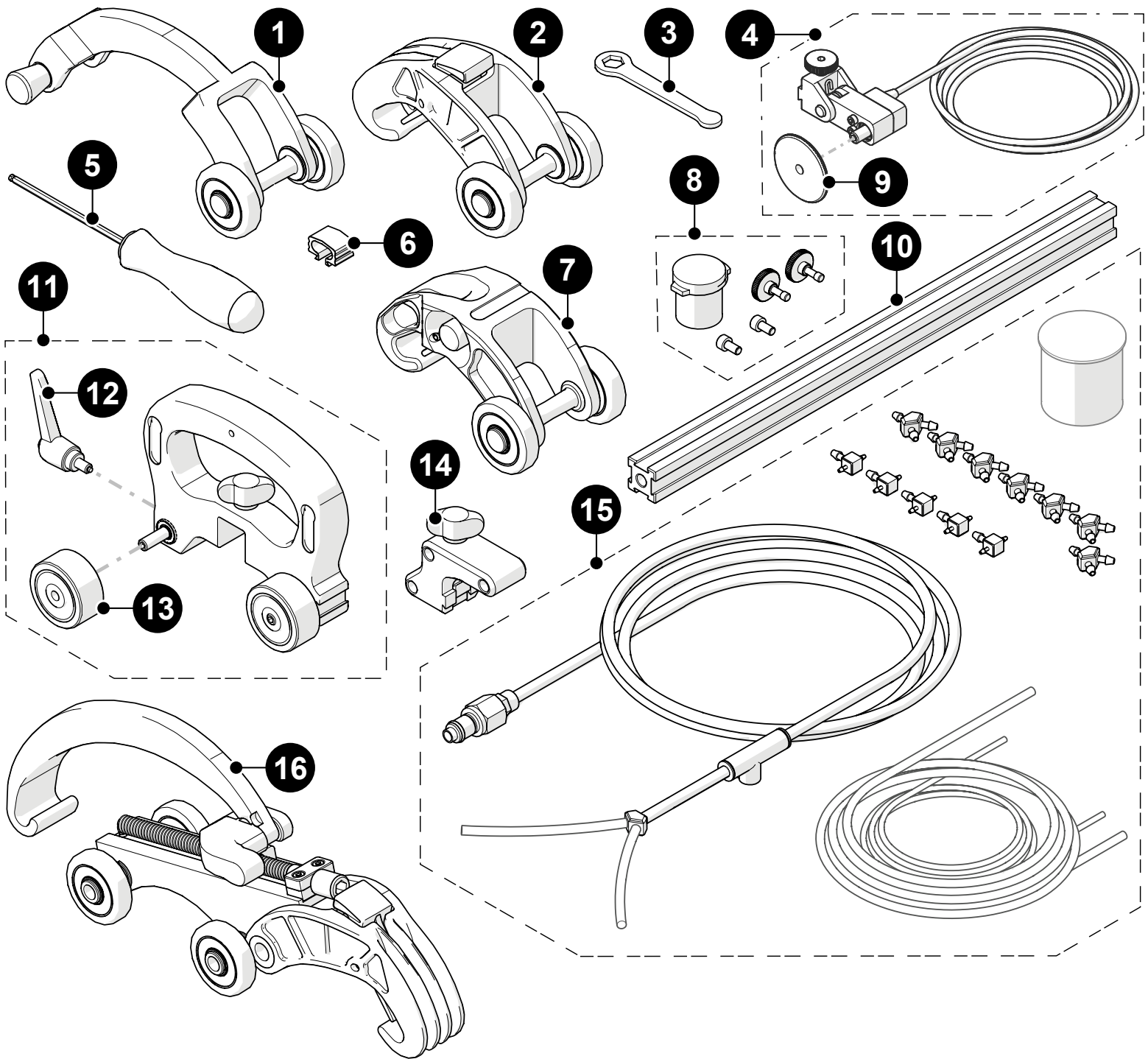


Spare Parts

■ ROTIX

CEG047-, CEG048-, CEG051-



BOM ID	Part #	Description
1	EJS013	Standard overtop link
2	EES004	QuickLink
3	EA470	3/8 in wrench
4	BGS053-__	Spring-Loaded Encoder (<i>see Encoder Connector Type</i>)
5	EA414	Hex driver, 3 mm (0.118 in)
6	BG0091	Cable clip
7	EES019	Dovetail QuickLink
8	PHG014	Probe holder spare parts kit

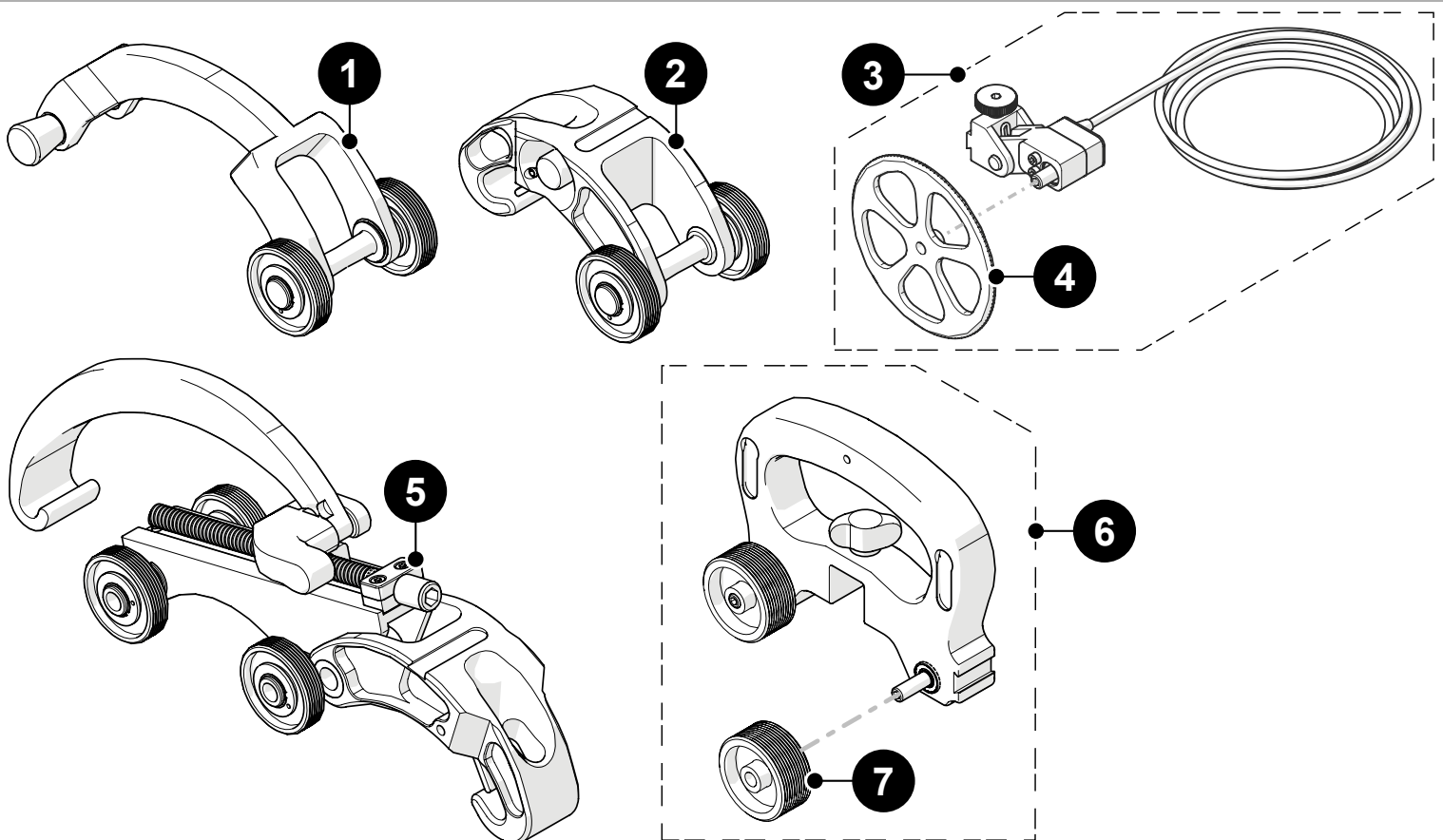
Spare Parts

■ ROTIX

CEG047-, CEG048-, CEG051-

9	BG0069	Encoder wheel, for spring-loaded encoder
10	BG0038-__	Frame bar (<i>see Frame Bars</i>)
11	CES070	Wheel block with handle
12	BTS018	Brake handle
13	CES012	Non-magnetic wheel
14	CES032	Double chain mount
15	CMG007	Irrigation kit, 2-4 probe
16	EES014	QuickLink buckle

High Temperature Parts



BOM ID	Part #	Description
1	CES107	High temperature standard overtop link
2	CES109	High temperature dovetail QuickLink
3	BGS071-__	High temperature spring-loaded encoder (<i>see Encoder Connector Type</i>)
4	BG0108	High temperature encoder wheel, for high temperature spring-loaded encoder
5	CES108	High temperature QuickLink buckle
6	CES071	High temperature wheel block with handle
7	CE0143	High temperature wheel

Spare Parts













Encoder Connector Type

Connector Type	Company/Instrument	Connector Type	Company/Instrument
B	Olympus OmniScan MX Zetec Topaz	G	Sonotron Isonic 25xx
C	Olympus Focus LT Zetec Z-Scan Eddyfi Ectane 2	U	Sonatest Veo / Prisma
E	Olympus OmniScan SX/MX2/X3 M2M MANTIS/GEKKO LEMO	V	Pragma PAUT
F	TD (<i>Technology Design</i>)	AD	Sonatest Veo / Prisma - Single Axis

NOTE: Additional encoder connector types available. Contact JIREH for more information.

Frame Bars

Part #	Length		Part #	Length	
BG0038-05	5 cm (1.97 in)		BG0038-10	10 cm (3.94 in)	
BG0038-15	15 cm (5.91 in)		BG0038-20	20 cm (7.87 in)	
BG0038-25	25 cm (9.84 in)		BG0038-30	30 cm (11.81 in)	
BG0038-35	35 cm (13.78 in)		BG0038-40	40 cm (15.75 in)	
BG0038-45	45 cm (17.72 in)		BG0038-50	50 cm (19.69 in)	
BG0038-55	55 cm (21.65 in)	