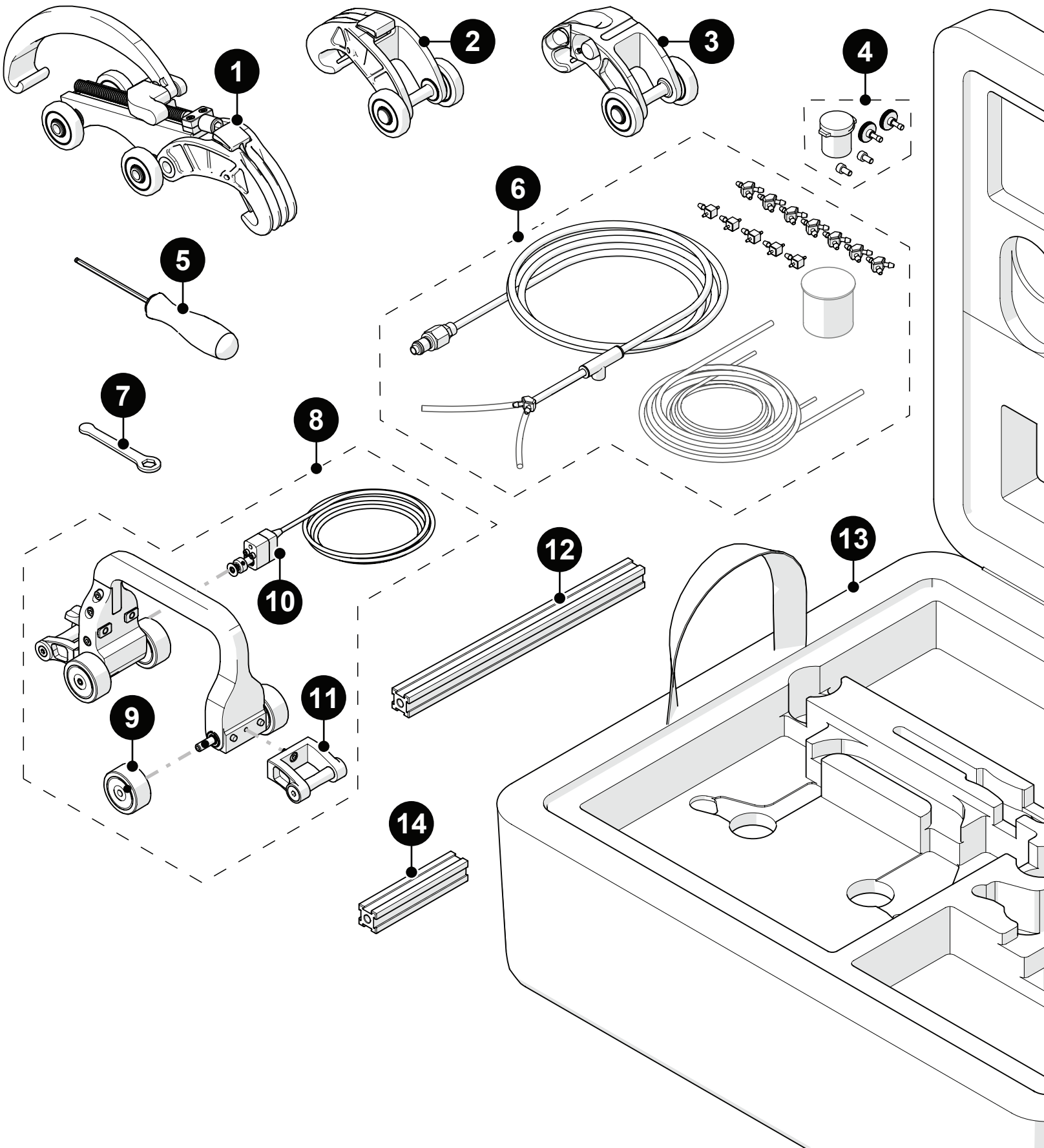


# Spare Parts

■ ROTIX

CEG050-



Edmonton Office: 780.922.4534  
Houston Office: 832.564.0626  
Rotterdam Office: +31 85 002 0801

Email: [info@jireh.com](mailto:info@jireh.com)  
Web: [jireh.com](http://jireh.com)

 JIREH

# Spare Parts

## ■ ROTIX

### CEG050-

BOM ID	Part #	Description
1	EES014	QuickLink buckle
2	EES004	QuickLink
3	EES011	Dovetail QuickLink
4	PHG014	2 probe spare parts kit
5	EA414	Hex driver, 3 mm (0.118 in)
6	CMG007	Irrigation kit, 2-4 probe
7	EA470	10 mm (3/8 in) wrench
8	CES104-	Reduced width ROTIX link (see Encoder Connector Type)
9	CES012	Non-magnetic wheel
10	CES047-X	Reduced width encoder assembly (see Encoder Connector Type)
11	CES095	QuickLink tail
12	BG0038-25	Frame bar, 20 cm
13	CEA041	ROTIX case
14	BG0038-10	Frame bar, 10 cm

### Encoder Connector Type

Connector Type	Company/Instrument	Connector Type	Company/Instrument
B	Olympus OmniScan MX Zetec Topaz	G	Sonotron Isonic 25xx
C	Olympus Focus LT Zetec Z-Scan Eddyfi Ectane 2	U	Sonatest Veo / Prisma
E	Olympus OmniScan SX/MX2/X3 M2M MANTIS/GEKKO LEMO	V	Pragma PAUT
F	TD (Technology Design)	AD	Sonatest Veo / Prisma - Single Axis

**NOTE:** Additional encoder connector types available. Contact JIREH for more information.