

Spare Parts

MOTIX

EJG001-

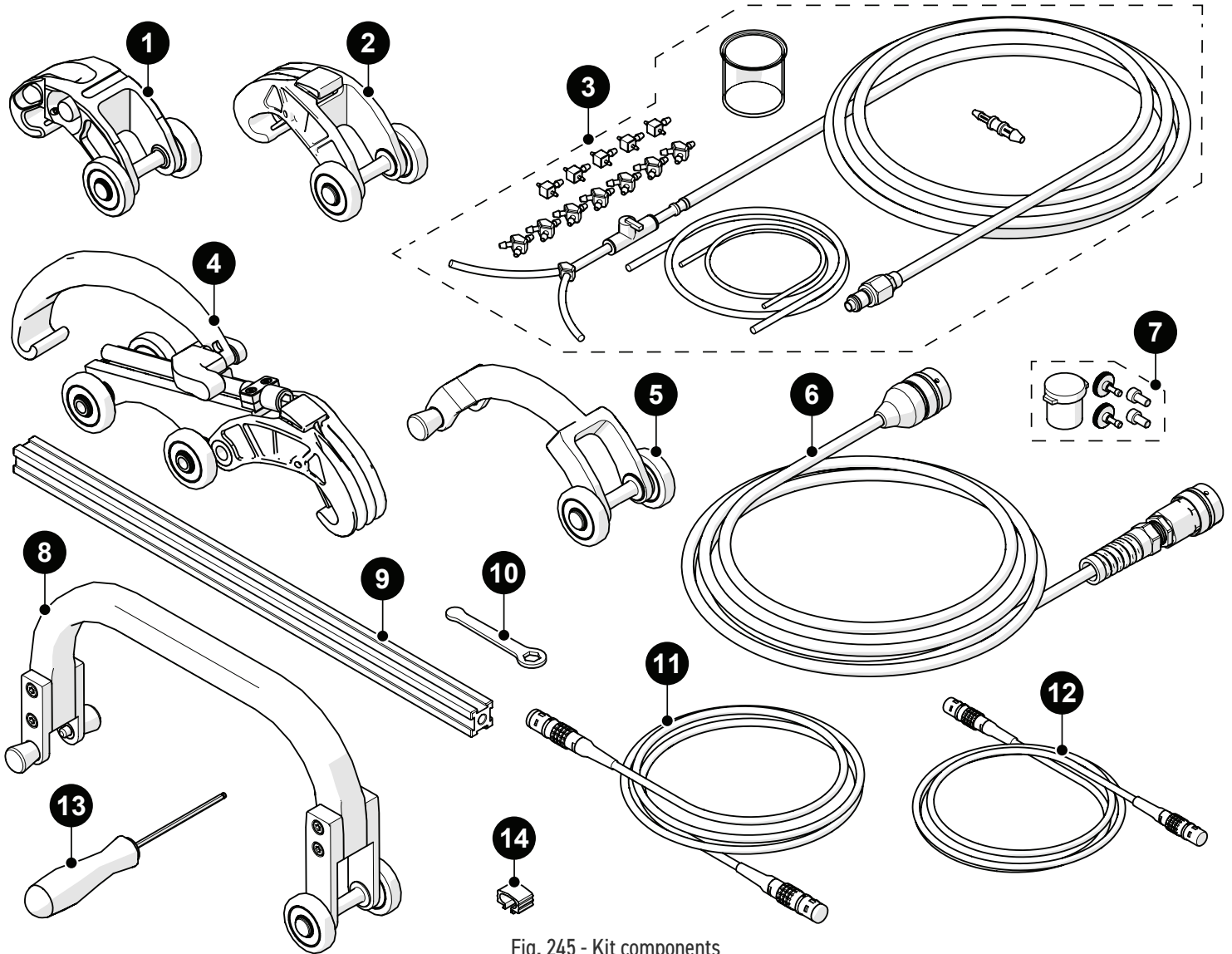


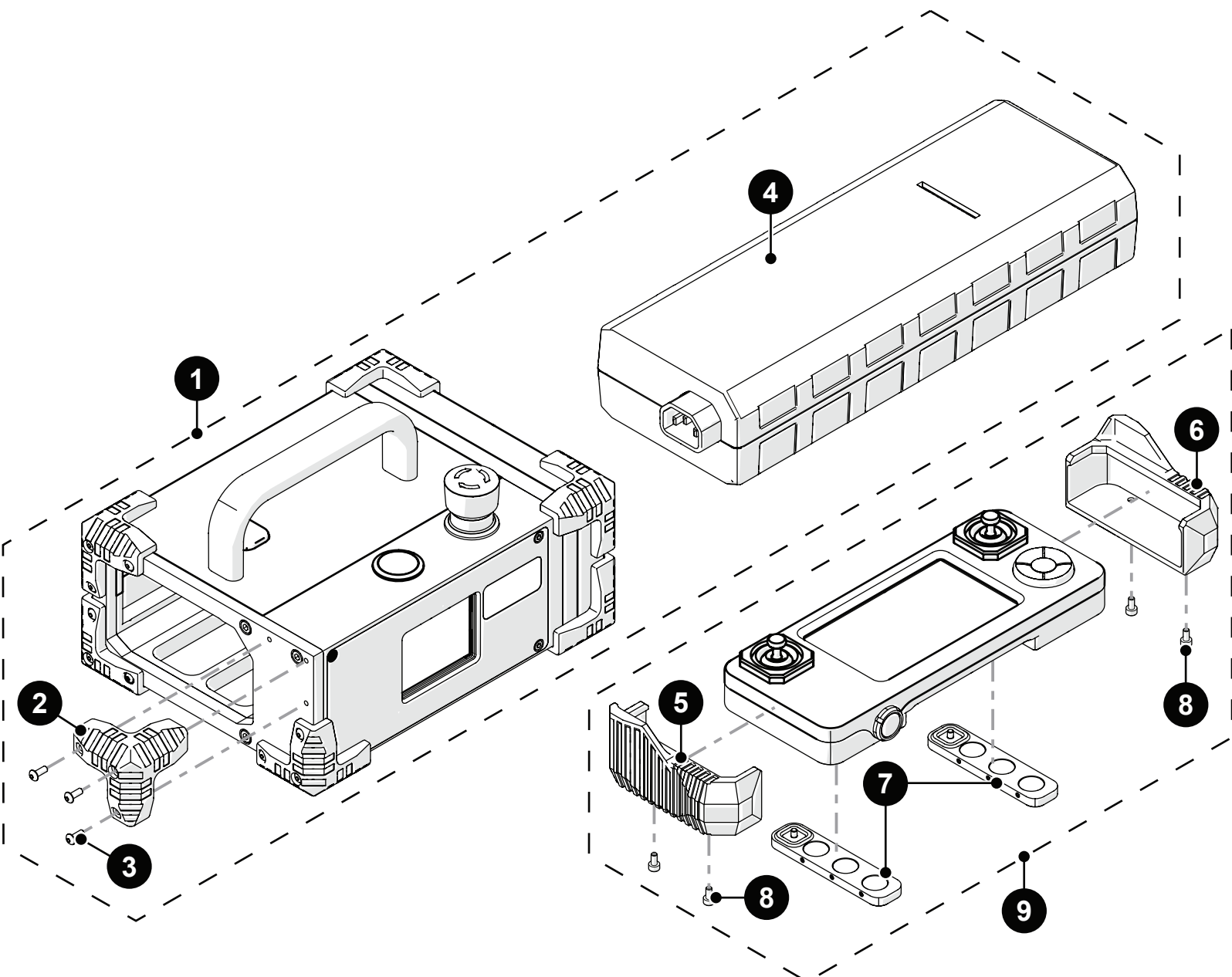
Fig. 245 - Kit components

BOM ID	Part #	Description
1	EES011	Dovetail link
2	EES004	Short link
3	CMG009-	Irrigation kit, 2-4 probe, large tube (<i>various lengths available</i>)
4	EES014	Buckle
5	EJS013	Standard overtop link
6	UMA022-	Umbilical (<i>various lengths available</i>)
7	PHG014	Probe holder spare parts kit, 2 probe
8	EJS014	Large overtop link
9	BG0038-45	Frame bar, 45 cm (<i>see Frame Bars</i>)
10	EA470	10 mm (<i>3/8 in</i>) wrench
11	UMA025-	J300 Encoder cable, 5 m (<i>16.4 ft</i>) (<i>see Encoder Connector Type</i>)
12	UMA017-06	Auxiliary cable
13	EA414	3 mm (<i>0.118 in</i>) hex driver
14	BG0091	Cable clip

Spare Parts

MOTIX

EJG001-

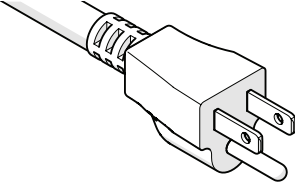
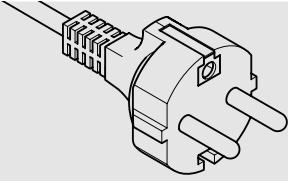
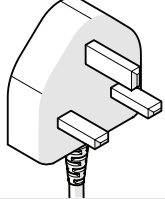


BOM ID	Part #	Description
1	CXA040-	Power controller (see Power Cord Type)
2	DY0011	Rubber bumper
3	MD072-008	BHCS, M3x0.5 X 8mm, SST
4	CXS122	Power supply
5	DM0067-L	Handheld controller bumper (left)
6	DM0067-R	Handheld controller bumper (right)
7	DMS005	Handheld controller magnet holder
8	MD049-006	SHCS, M3x0.5 X 6mm, SST
9	DMA006	Handheld controller

Spare Parts

■ MOTIX

Power Cord Type

Connector Type	Part #	Power Cord	
N	SL032	North American	
E	SL039	European	
U	SL059	United Kingdom	
Z		No Cord	

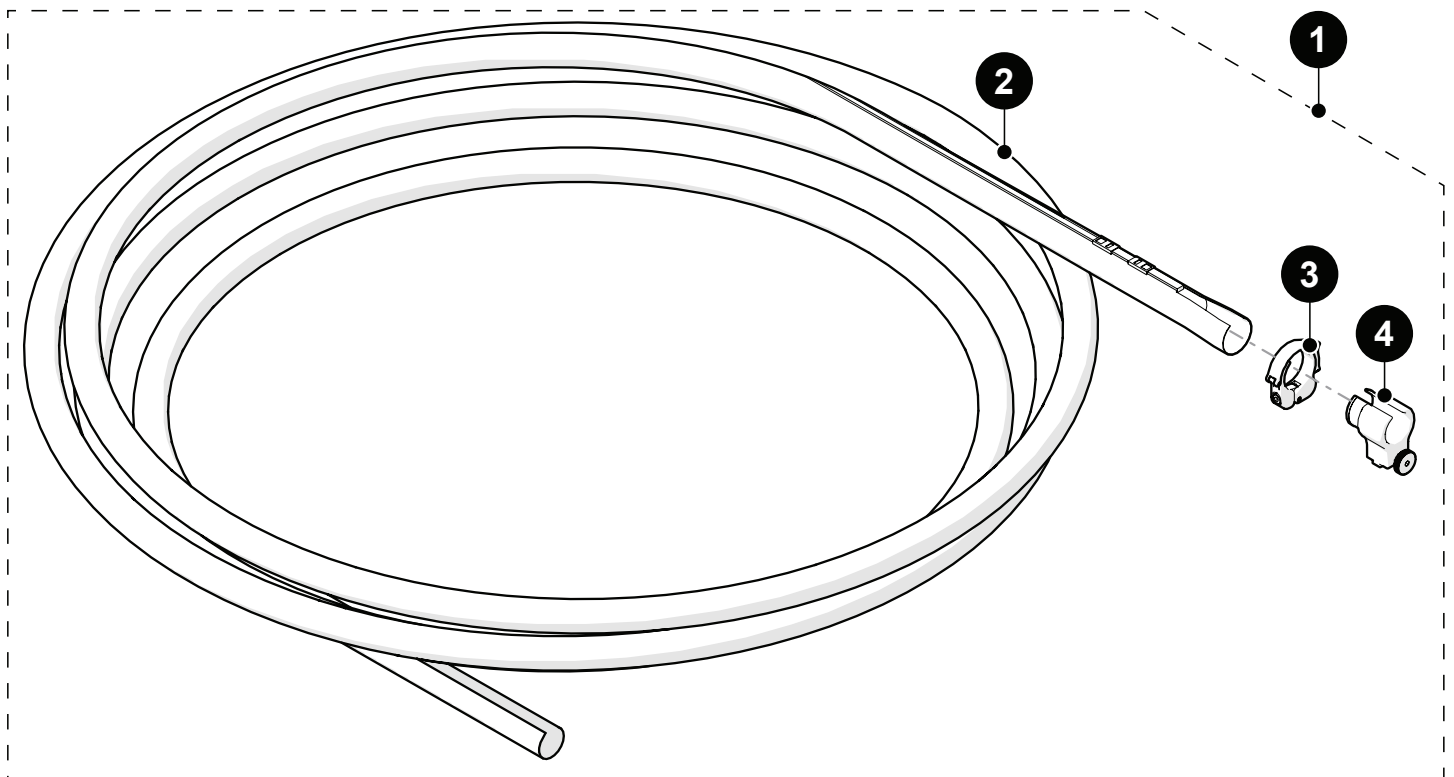
Encoder Connector Type

Connector Type	Company/Instrument	Connector Type	Company/Instrument
B	Olympus OmniScan MX Zetec Topaz	G	Sonotron Isonic 25xx
C	Olympus Focus LT Zetec Z-Scan Eddyfi Ectane 2	U	Sonatest Veo / Prisma
E	Olympus OmniScan SX/MX2/X3 M2M MANTIS/GEKKO LEMO	V	Pragma PAUT
F	TD (<i>Technology Design</i>)	AD	Sonatest Veo / Prisma - Single Axis

NOTE: Additional encoder connector types available. Contact JIREH for more information.

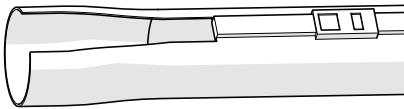
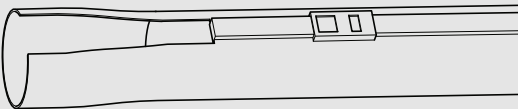
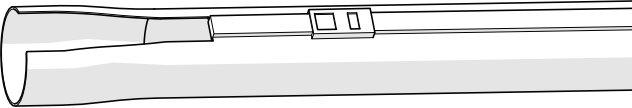
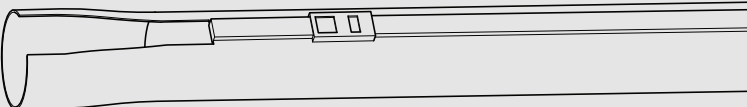
MOTIX

Cable Management



BOM ID	Part #	Description
1	CES044-	Cable management: dovetail mount
2		see <i>Cable Management Sleeving</i>
3	CES066	Cable management clamp
4	CES067	Cable management mount, dovetail mount

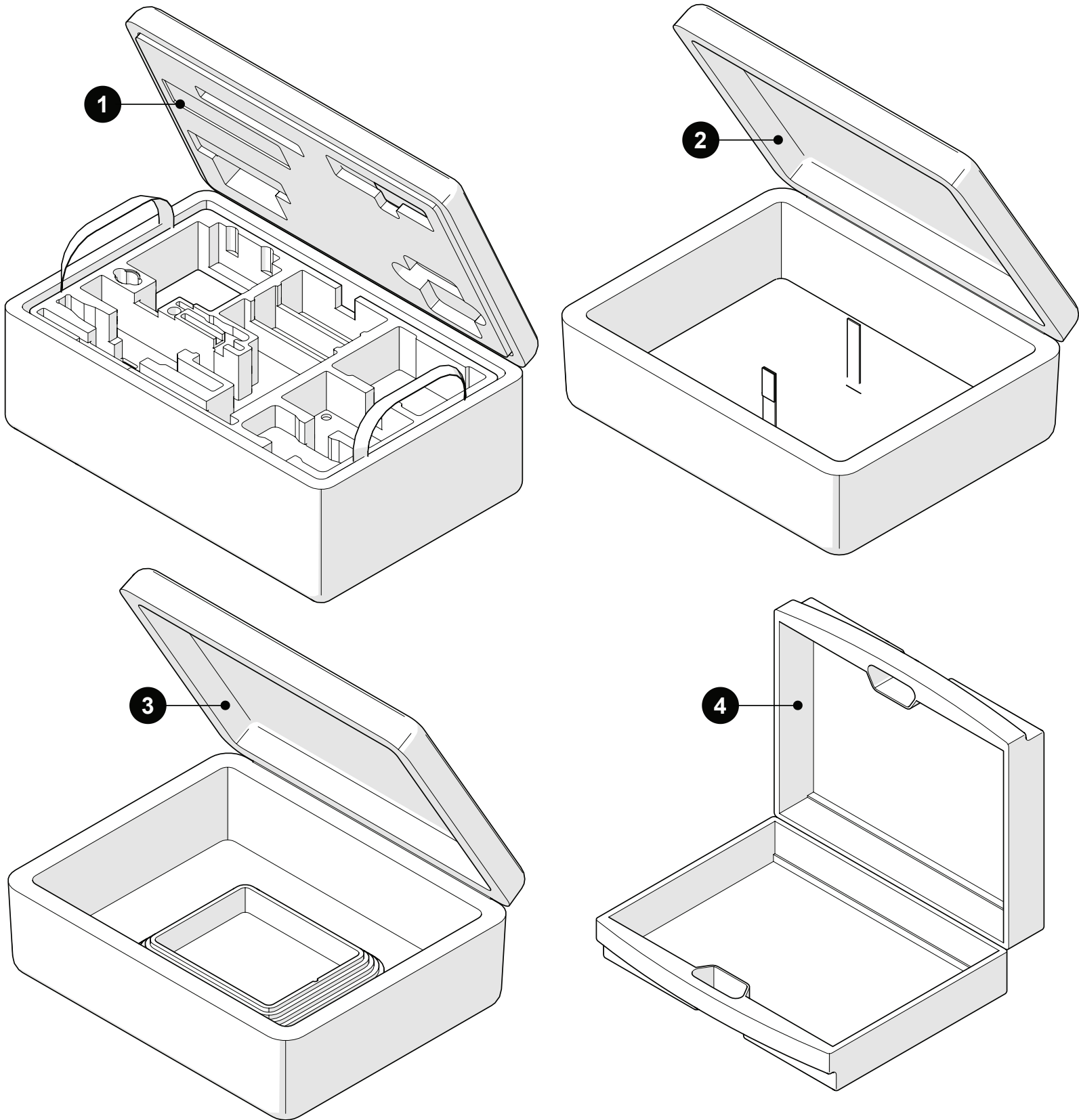
Cable Management Sleeving

Length	Part #	Description	
04.5	CX0141	4.5 m (14.8 ft)	
09.5	CX0145	9.5 m (31.2 ft)	
14.5	CX0146	14.5 m (47.6 ft)	
29.5	CX0147	29.5 m (96.8 ft)	

Spare Parts

■ MOTIX

Cases



BOM ID	Part #	Description
1	EJA004	MOTIX Case
2	CXA023	Umbilical / Probe Holder Frame Case
3	CMA016	Motorized Pump / Umbilical Case
4	EA421	Umbilical Case

Edmonton Office: 780.922.4534
Houston Office: 832.564.0626
Rotterdam Office: +31 85 002 0801

Email: info@jireh.com
Web: jireh.com

 JIREH