

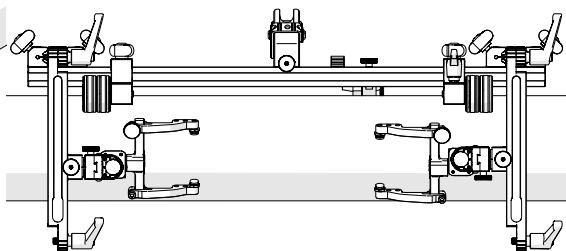
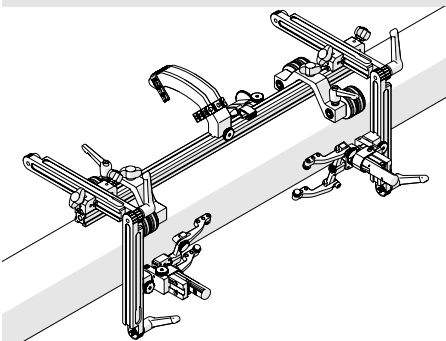
# QUICK-REFERENCE GUIDE

## CONFIGURATIONS

AOD

Ø10.2 cm

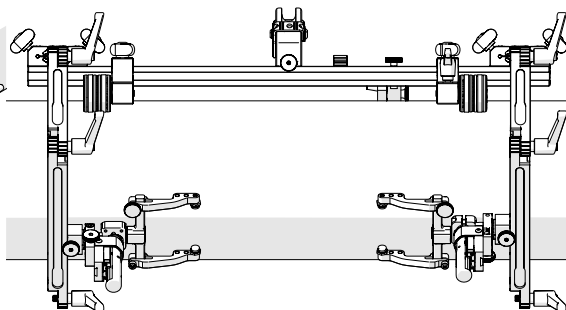
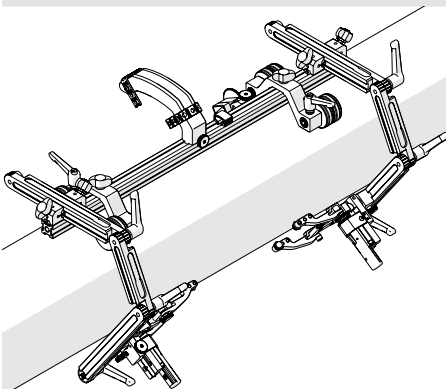
(Ø4 inch)



AOD

Ø15.2 cm

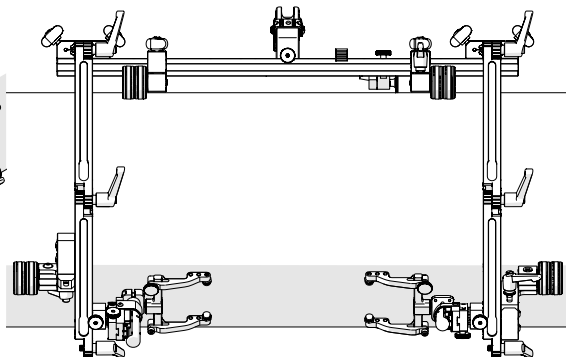
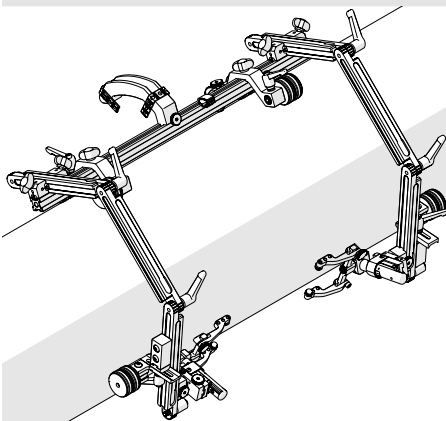
(Ø6 inch)



AOD

Ø25.4 cm

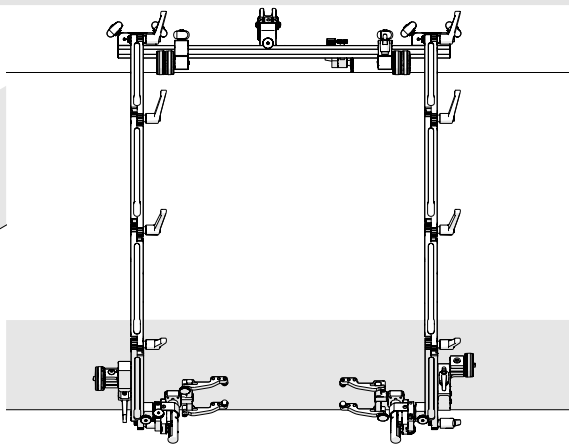
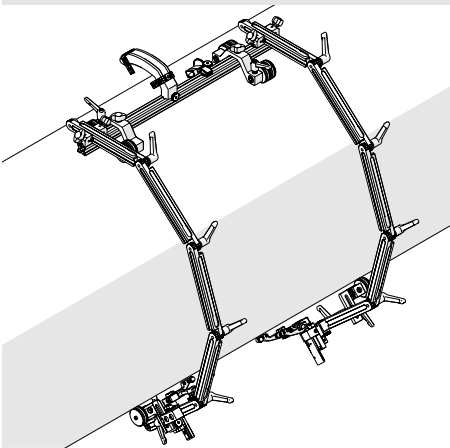
(Ø10 inch)



AOD

Ø50.8 cm

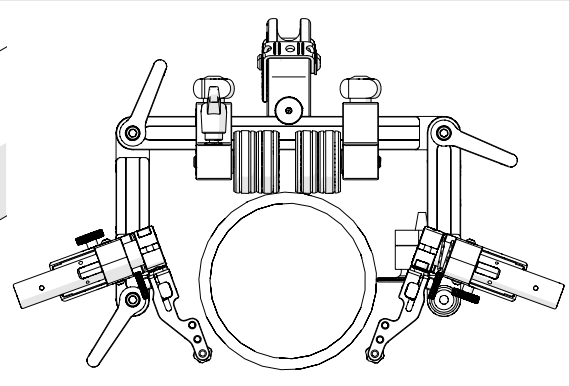
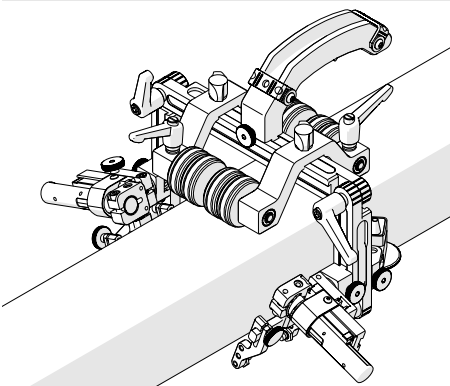
(Ø20 inch)



COD

Ø10.2 cm

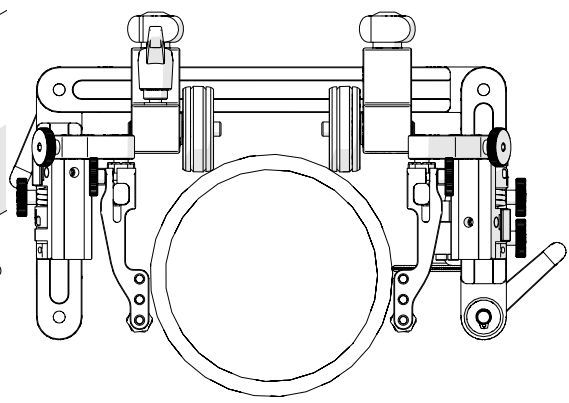
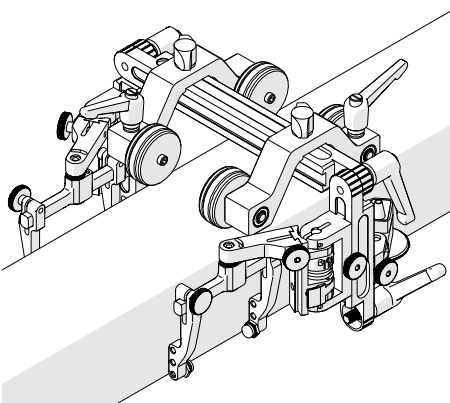
(Ø4 inch)



Low Profile COD

Ø10.2 cm

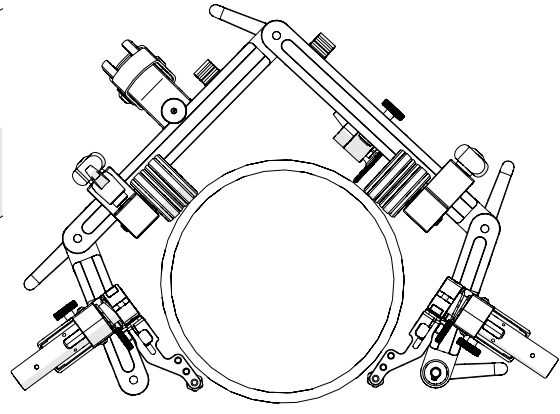
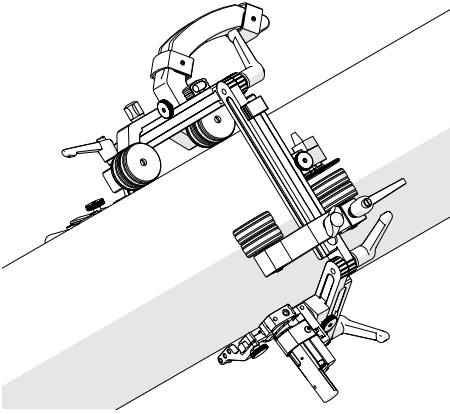
(Ø4 inch)



COD

Ø15.2 cm

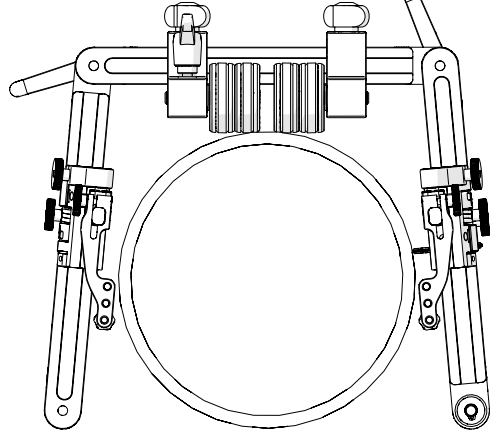
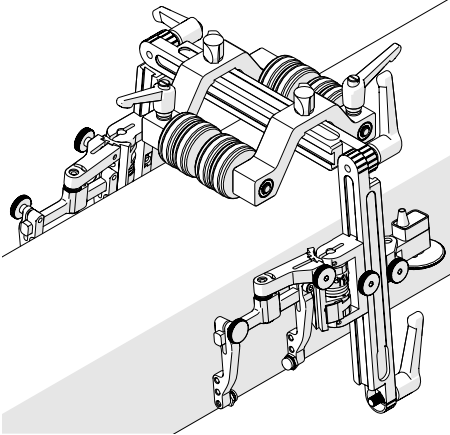
(Ø6 inch)



Low Profile COD

Ø15.25 cm

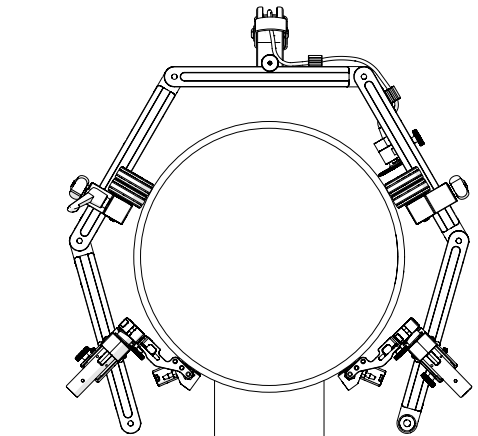
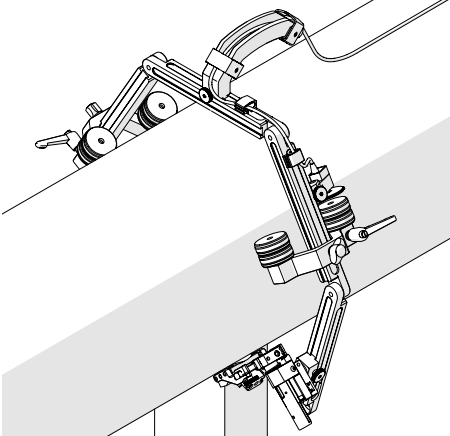
(Ø6 inch)



COD

Ø25.4 cm

(Ø10 inch)



**JIREH**

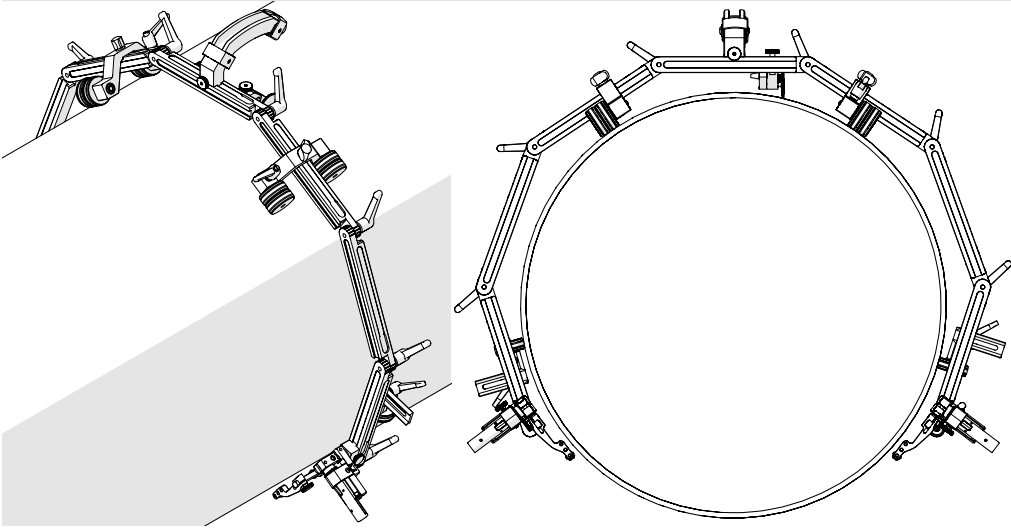
53158 Range Road 224  
Ardrossan, AB  
Canada, T8E 2K4

BG0131 Rev 02.1

COD

Ø50.8 cm

(Ø20 inch)



## SPARE PARTS

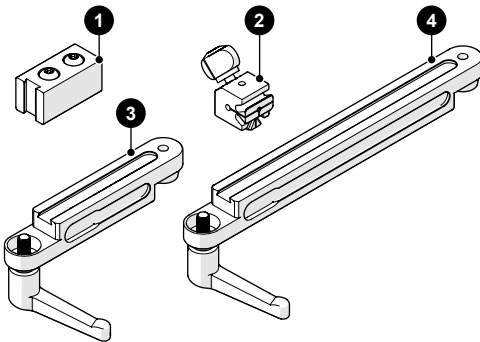


Fig. 1 - Spare parts

BOM ID	Part #	Description
1	BGS078	Perpendicular wheel mount
2	BGS001	Cross block
3	BGS080	Short pivoting frame bar
4	BGS079	Long pivoting frame bar

**NOTE:** This quick-reference guide is supplementary to the BG0088 user manual. See the BG0088 user manual for additional spare parts.