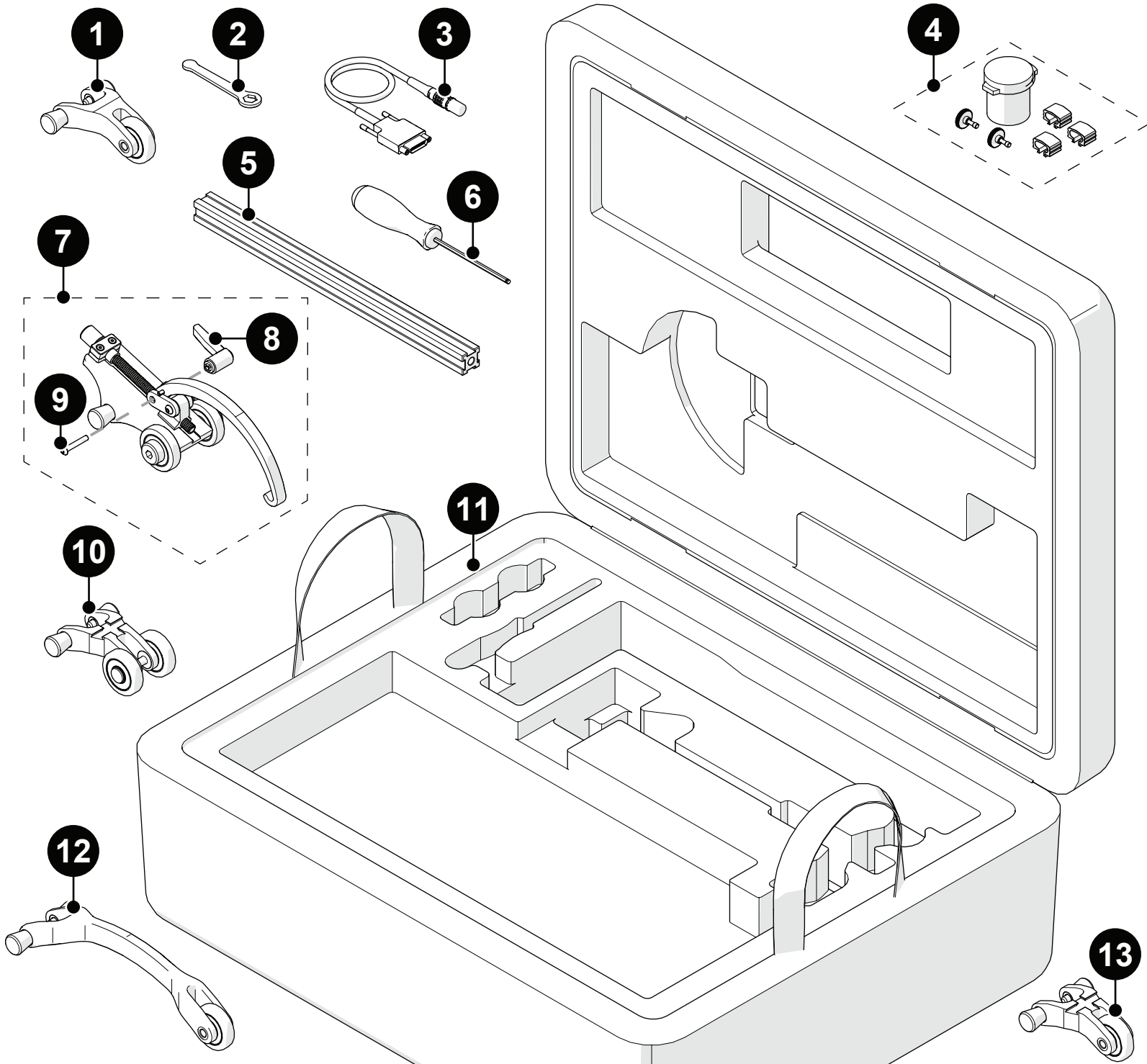


# Spare Parts

■ ROTIX NOZZLE

CEG037



BOM ID	Part #	Description
1	CES002	Short Link
2	EA470	3/8 in Wrench
3	UMA036-X-05	J400 Encoder Cable, 5 m (16.4 ft) (see Encoder Connector Type)
4	CEG039	ROTIX - Nozzle Spare Parts Kit
5	BG0090-X	Frame Bar with Ruler, 30 cm
6	EA414	3 mm Hex Driver
7	CES005	Buckle
8	CE0015	Ratchet Lever
9	MD073-025	BHCS, M4x0.7 X 25 mm, SST
10	CES003	Catch Link (Red)
11	CEA025	ROTIX Nozzle Scanner Case
12	CES009	Long Link
13	CES024	Short Link with Dovetail

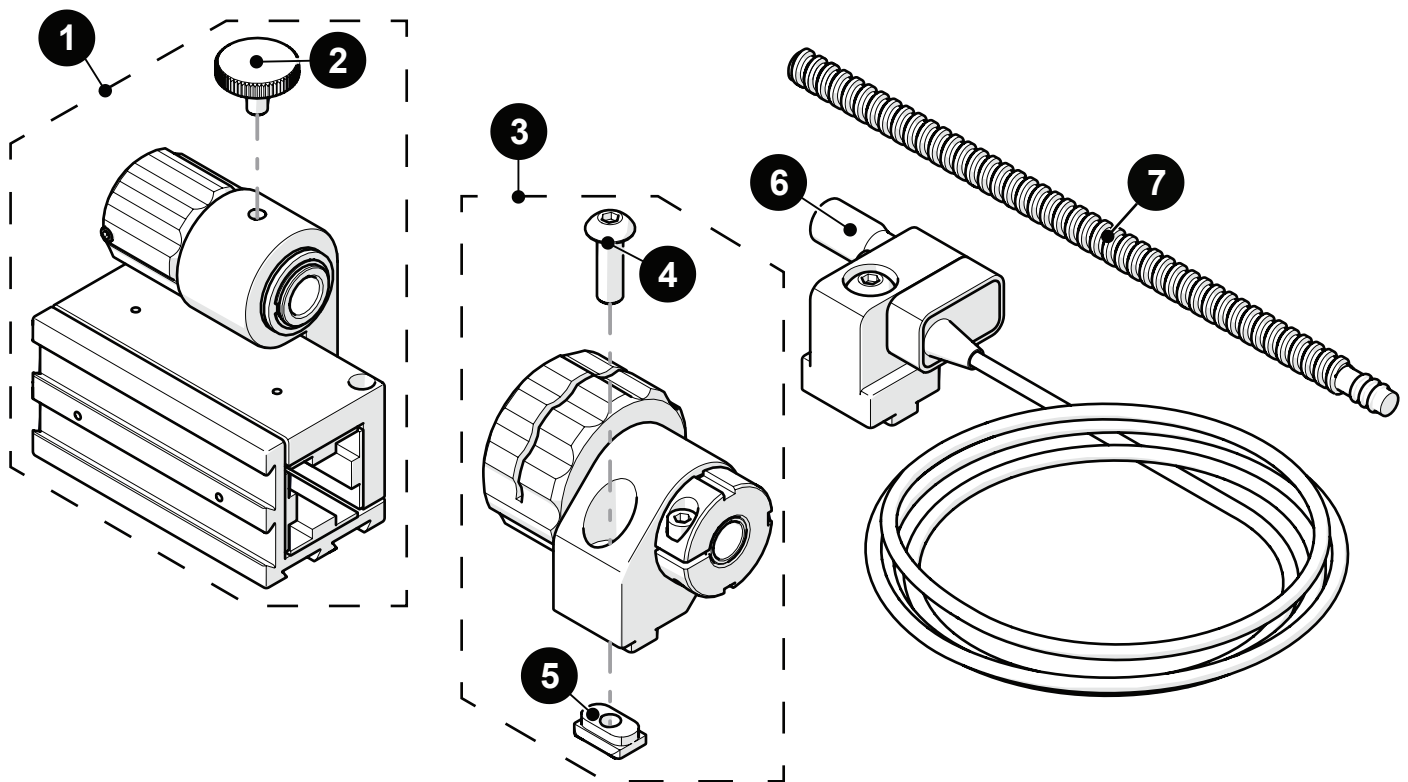
## ■ ROTIX NOZZLE

### Encoder Connector Type

Connector Type	Company/Instrument	Connector Type	Company/Instrument
B	Olympus OmniScan MX Zetec Topaz	G	Sonotron Isonic 25xx
C	Olympus Focus LT Zetec Z-Scan Eddyfi Ectane 2	U	Sonatest Veo / Prisma
E	Olympus OmniScan SX/MX2/X3 M2M MANTIS/GEKKO LEMO	V	Pragma PAUT
F	TD ( <i>Technology Design</i> )	AD	Sonatest Veo / Prisma - Single Axis

**NOTE:** Additional encoder connector types available. Contact JIREH for more information.

### Slider Probe Positioning System (*Slider PPS*)



BOM ID	Part #	Description
1	CJS008	Slider PPS Slider
2	EA212	Knurled Knob, M4 x 0.7 x 8 mm, SST
3	CJS001	Slider PPS Main Knob
4	MD074-016	BHCS: M5x0.8 X 16 mm: SST
5	BT0014	Dovetail Nut
6	CJS017-S-0.6	Slider PPS Encoder
7	CJS009-X	see <i>Slider PPS Encoded Leadscrew</i>

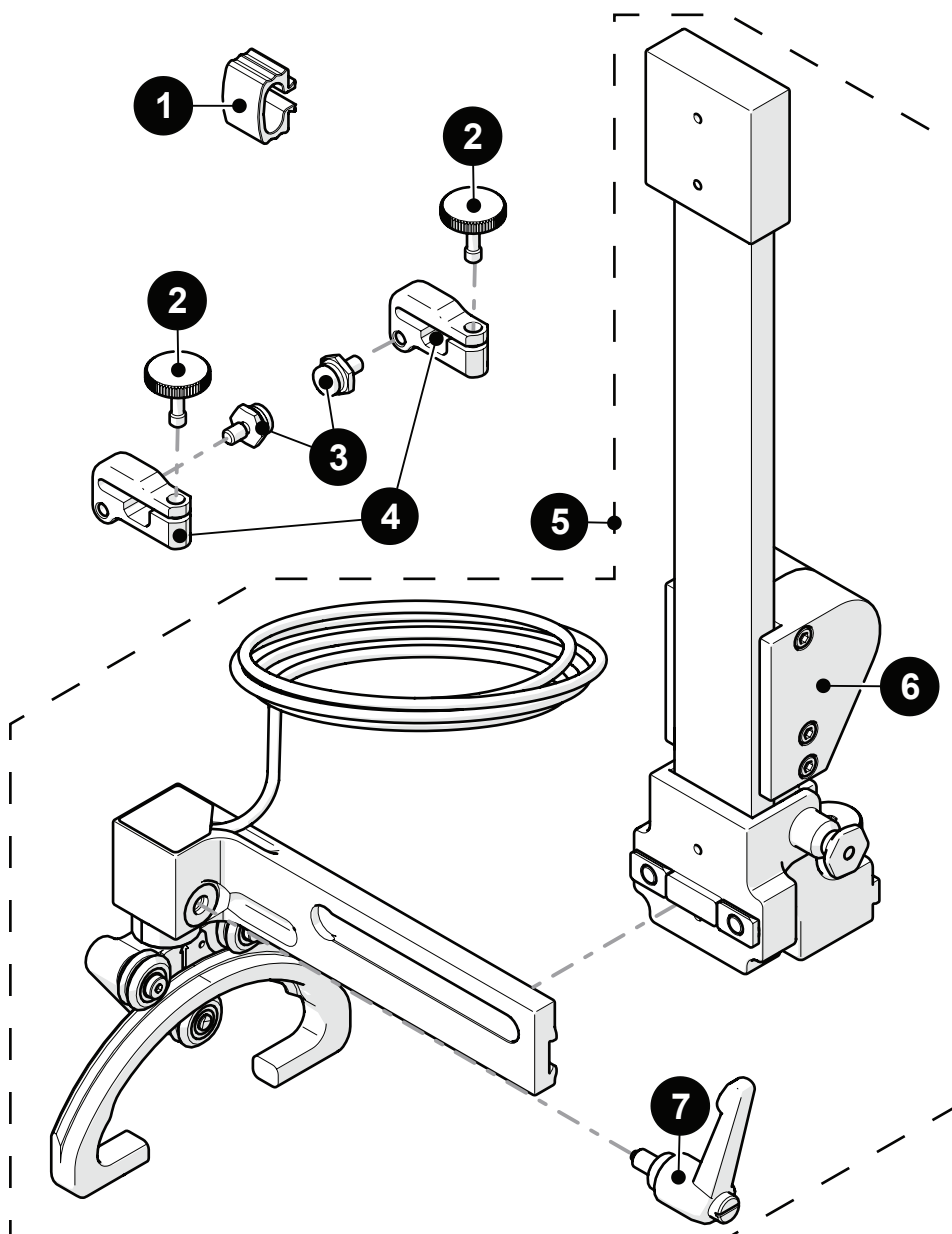
# Spare Parts

## ■ ROTIX NOZZLE

### Slider PPS Encoded Leadscrew

Part #	Length		Part #	Length	
CJS009-16	16 cm (6.3 in)		CJS009-21	21 cm (8.3 in)	
CJS009-23	23 cm (9.1 in)		CJS009-28	28 cm (11 in)	
CJS009-33	33 cm (13 in)		CJS009-38	38 cm (15 in)	
CJS009-43	43 cm (16.9 in)		CJS009-48	48 cm (18.9 in)	

### Encoded Skew Vertical Probe Holder










BOM ID	Part #	Description
1	BG0091	Cable Clip
2	PH0082	Knurled Knob, M4 x 0.7 x 10 mm, SST, 3 mm stand off, SST
3	PH0011-X	see <i>Pivot Button Style</i>
4	PH0237	Arm Style: Nozzle, Extra Short
5	PHS069	Encoded Skew Vertical Probe Holder Subassembly
6	PHS068	Encoded Skew Vertical Probe Holder Slide
7	BTS018	Brake Handle

# Spare Parts

## ■ ROTIX NOZZLE

### Pivot Button Style

Pivot Hole Size	Wedge Type		Pivot Hole Size	Wedge Type			
<b>01</b>	8.0 mm (0.32 in)	Olympus PA		<b>02</b>	5.0 mm (0.20 in)	Olympus TOFD	
<b>03</b>	2.7 mm (0.11 in)	Sonatest DAAH PA		<b>04</b>	9.5 mm (0.38 in)	-	
<b>06</b>	3.0 mm (0.12 in)	-		<b>07</b>	2.3 mm (0.09 in)	-	
<b>08</b>	Conical Head	-		<b>09</b>	5 mm (0.20 in) Internal	Zetec PA/TOFD	